

# TOSHIBA

TOSHIBA Thermal Printer

## B-850 SERIES

### Parts List

Document No. **EO8-3309A**

Original **Dec., 2000**  
(Revised **Mar., 2006**)

**NOTE:**

*Model names that end with "-R" are RoHS compliant models. If "-R" is not attached, that model is non RoHS compliant.*

*Never install non RoHS compliant optional equipment or parts on a RoHS compliant machine which is supposed to be used in the countries that enforce the RoHS directive, as doing this is legally prohibited.*

**TOSHIBA TEC CORPORATION**

PRINTED IN JAPAN

## TABLE OF CONTENTS

### HOW TO USE THIS PARTS LIST

#### MECHANICAL PARTS

1. COVER BLOCK -----	1-1
2. FEED BLOCK -----	2-1
3. MOTOR BLOCK -----	3-1
4. PRINT HEAD BLOCK -----	4-1
5. MEDIA SENSOR BLOCK -----	5-1
6. ACCESSORIES -----	6-2
7. MISCELLANEOUS PARTS -----	7-1

#### OPTIONAL PARTS

30. CUTTER MODULE (B-7208-QM/B-7208-QM-R) -----	30-1
31. OTHER OPTIONAL KITS (1) -----	31-1
32. OTHER OPTIONAL KITS (2) -----	32-1

#### ELECTRONIC PARTS

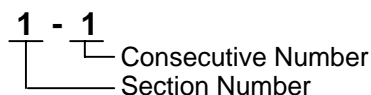
50. CPU PC BOARD ASS'Y -----	50-1
51. PCMCIA PC BOARD ASS'Y -----	51-1
52. EXPPIO IO PC BOARD ASS'Y -----	52-1
53. PCL5 PC BOARD ASS'Y -----	53-1
54. CPU PC BOARD ASS'Y (MAIN3) -----	54-1
55. MAIN PC BOARD ASS'Y -----	55-1

#### **CAUTION!**

- 1. This manual may not be copied in whole or in part without prior written permission of TOSHIBA TEC.*
- 2. The contents of this manual may be changed without notification.*
- 3. Please refer to your local Authorised Service representative with regard to any queries you may have in this manual.*

## HOW TO USE THIS PARTS LIST

- 1) Indication of Ref. No.



Section No.	Section Name
1 to 29	MECHANICAL PARTS
30 to 49	OPTIONAL PARTS
50 to 69	ELECTRONIC PARTS

- 2) Remarks column indicates the following information:

- (1) Interchangeability of parts
- (2) Accessory
- (3) Service part
- (4) Date when the parts are added/deleted/changed

- 3) The columns from A through K indicate the quantity/unit for each model.  
The letters A to K represent the model names which are described in the foot note.

- 4) The recommended parts column indicates the recommendation of parts stock.

	Q'ty/100 Units
Class A -----	10
Class B -----	7
Class C -----	5
Class D -----	3
Class E -----	1

- 5) Miscellaneous parts (screws, washers, etc.) shall be ordered in minimum lots of 100.
- 6) As a rule, parts not listed in this parts list cannot be ordered and we will not be responsible for problems concerning these parts.
- 7) The name of the electronic parts are abbreviated as below:

Ref No.	Real Name	Abbreviation	Ref. No.	Real Name	Abbreviation
C	Capacitor	CAP.	Q	Transistor	XISTOR.
R	Resistor	RSTR.	CN	Connector	CONN.
RA	Resistor Array	RSTR. Array	ZD	Zener Diode	Z.Diode
VA (RV)	Variable Resistor	V.RSTR.			

- 8) Please locally purchase the electronic parts without part numbers after referring to the descriptions.
- 9) The illustrations are provided by PDF files and attached to the list of each section. To refer to the illustrations, double-click on the PDF file icons.
- 10) RoHS-compliant parts are indicated with "R" in the RoHS column.

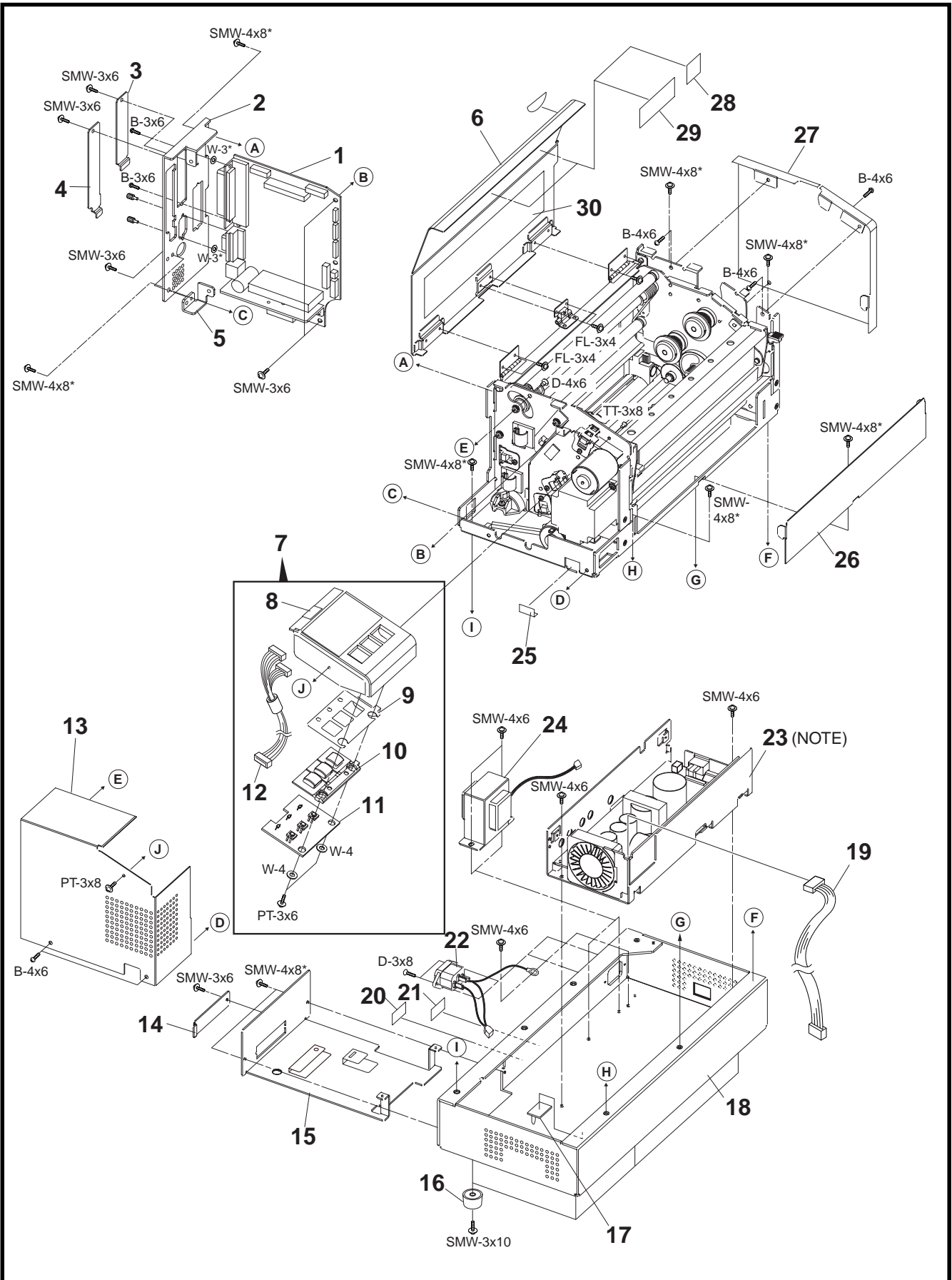
**NOTES:**

1. The parts shown in this list may be modified by TOSHIBA TEC together with issuing the parts information, if necessary.
2. The illustrations in this parts list are provided for reference and may be different from the actual parts in shape.
3. Parts with no Ref. No. and quantity are interchangeable parts.
4. For the underlined assembly parts, the components are available separately.
5. Excepting the electronic parts, "-----" in the Part No. cell in place of a part number means that the part is an optional equipment and should be ordered from the Sales Department.

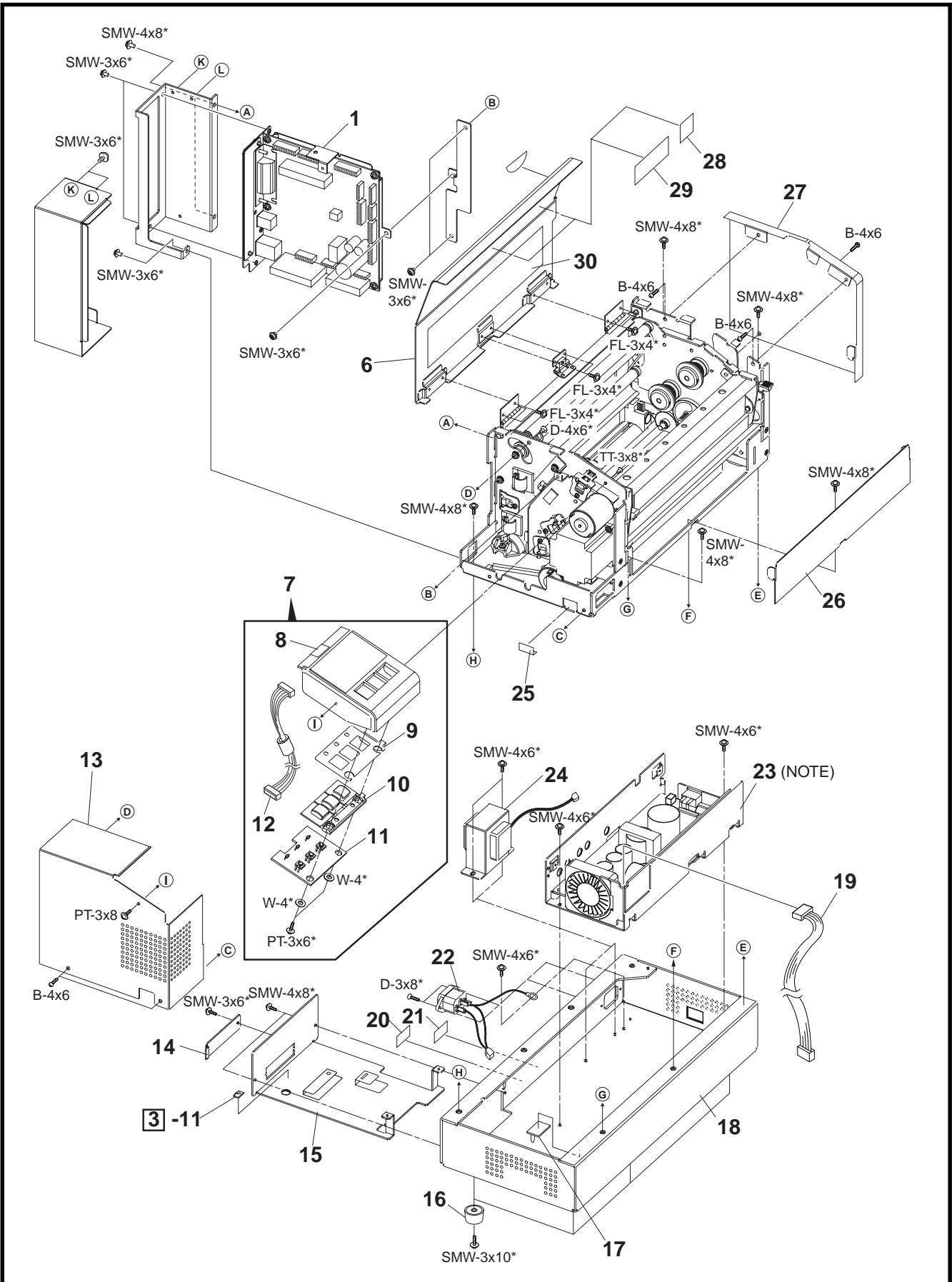
# BODY PARTS

EO8-33009A  
B-850 SERIES MAR., 2006

## 1 -1 COVER BLOCK



**1 -2 COVER BLOCK (B-852-R)**



# 1. COVER BLOCK

EO8-33009A  
B-850 SERIES MAR., 2006

Ref. No.	Part No.	Description	RoHS	Remarks	A	B	C	D	E	F	G	H	Recommended Parts
1-1	FMBD0041701	CPU PC Board Ass'y (Service No. B-313-01)			1	1	0	0	0				E
	FMBD0046404	CPU PC Board Ass'y (MAIN 3) (Service No. B-343-04)			1	1	0	0	0				E
	FMBD0046410	CPU PC Board Ass'y (MAIN 3) (Service No. B-343-04)			0	0	1	0	0				E
	7FM01813000	MAIN PC Board Assy (Service No. B-361-03)			0	0	0	1	1				E
1-2	FMED0034901	PCB Back Plate	R		1	1	1	0	0				
1-3	FMEB0129901	Interface Cover	R		1	1	1	0	0				
1-4	FMEB0129501	PCMCIA Blind Plate	R		1	1	1	0	0				
1-5	FMEB0129401	PCB Holder Plate	R		1	1	1	0	0				
1-6	FMCC0054303	Top Cover	R		1	1	1	1	1				
1-7	FMBC0090102	Operation Panel Ass'y			1	1	1	0	0				E
	FMBC0090103	Operation Panel Ass'y			0	0	0	1	1				
1-8	FMBC0091901	Operation Panel Cover Ass'y			1	1	1	0	0				D
	FMBC0091902	Operation Panel Cover Ass'y			0	0	0	1	1				
1-9	FMEB0131001	Earth Plate	R		1	1	1	1	1				
1-10	FMHC0025001	Key Switch	R		1	1	1	1	1				
1-11	FMBB0062001	Panel PCB Ass'y			1	1	1	0	0				E
	7FM01976000	Panel PCB Ass'y			0	0	0	1	1				E
1-12	FMCB0104901	Operation Panel Harness	R		1	1	1	0	0				E
	7FM01994000	Operation Panel Harness			0	0	0	1	1				E
1-13	FMEE0017701	Side Cover L	R		1	1	1	0	0				
	FMEE0017702	Side Cover L			0	0	0	1	1				
1-14	FMEB0129901	Interface Cover	R		1	1	1	0	0				C
	FMEB0129902	Interface Cover			0	0	0	1	1				
1-15	FMED0035002	PCL5 Base	R		1	1	1	1	1				
1-16	F0-00082000	Base Foot TM-201-4	R		4	4	4	4	4				
1-17	F0-00599000	Cable Clamp DKN-10G	R		1	1	1	1	1				
1-18	FMEE0018001	PSU Base	R		1	1	1	0	0				
	FMEE0018002	PSU Base			0	0	0	1	1				
1-19	FMCB0104601	Power Harness	R		1	1	1	0	0				E
	7FM01987000	Power Harness			0	0	0	1	1				E
1-20	FMMB0045801	DOC Label			1	0	0	1	0				
1-21	7FM01186000	CE Mark Label			0	1	0	0	1				
	FMMB0034501	FCC Label			1	0	0	1	0				
1-22	FMCB0104401	Inlet Ass'y			1	1	1	0	0				D
	7FM01985000	Inlet Ass'y			0	0	0	1	1				D
1-23	VDBC0001002	PS Unit (100/120V)			1	0	0	0	0				E
	VDBC0001101	PS Unit (220/240V)			0	1	1	0	0				E

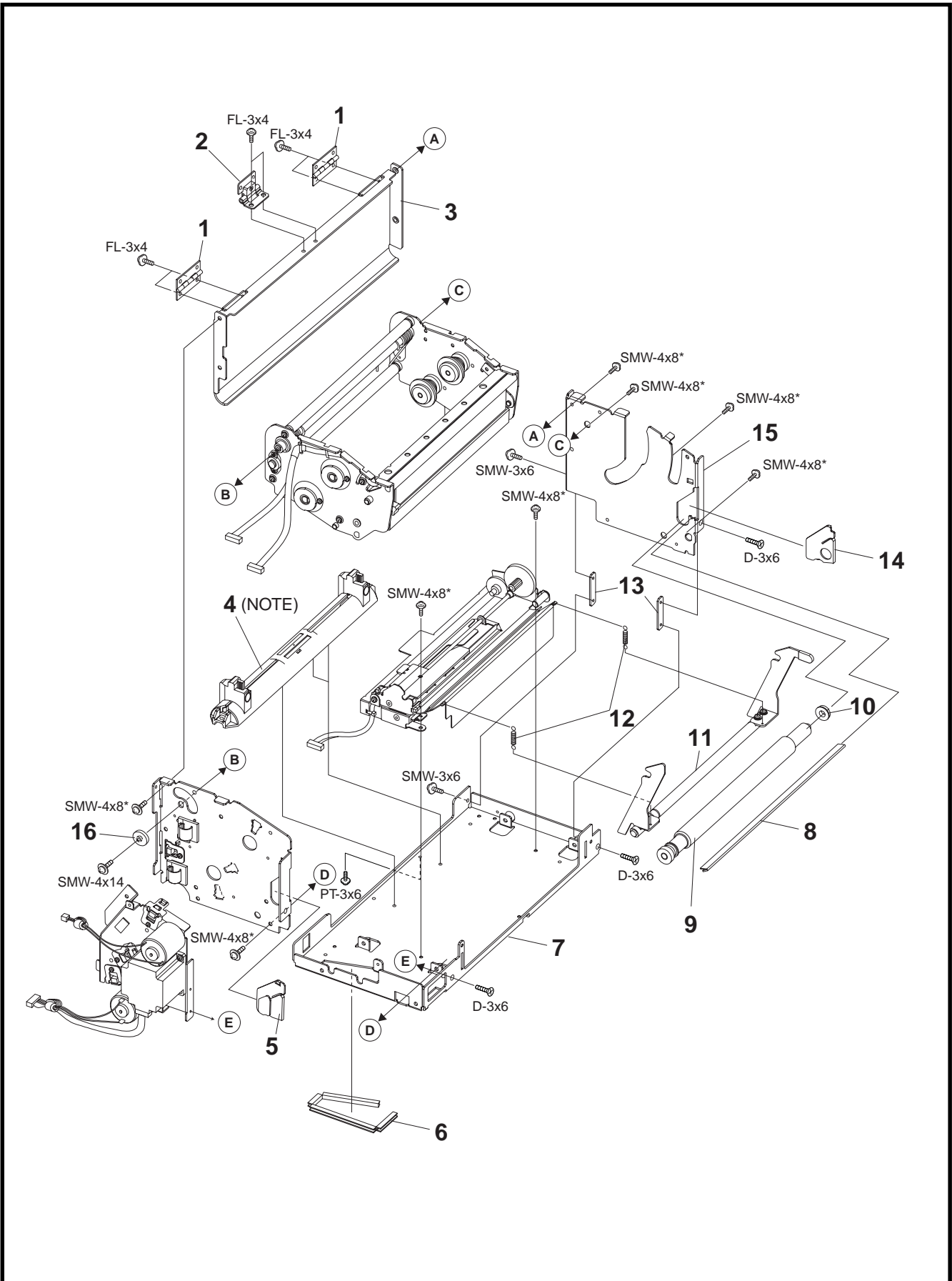
A: B-852-TS12-QQ B: B-852-TS12-QP C: B-852-TS12-CN D: B-852-TS22-QQ-R E: B-852-TS22-QP-R

1. COVER BLOCK

EO8-33009A  
B-850 SERIES MAR., 2006

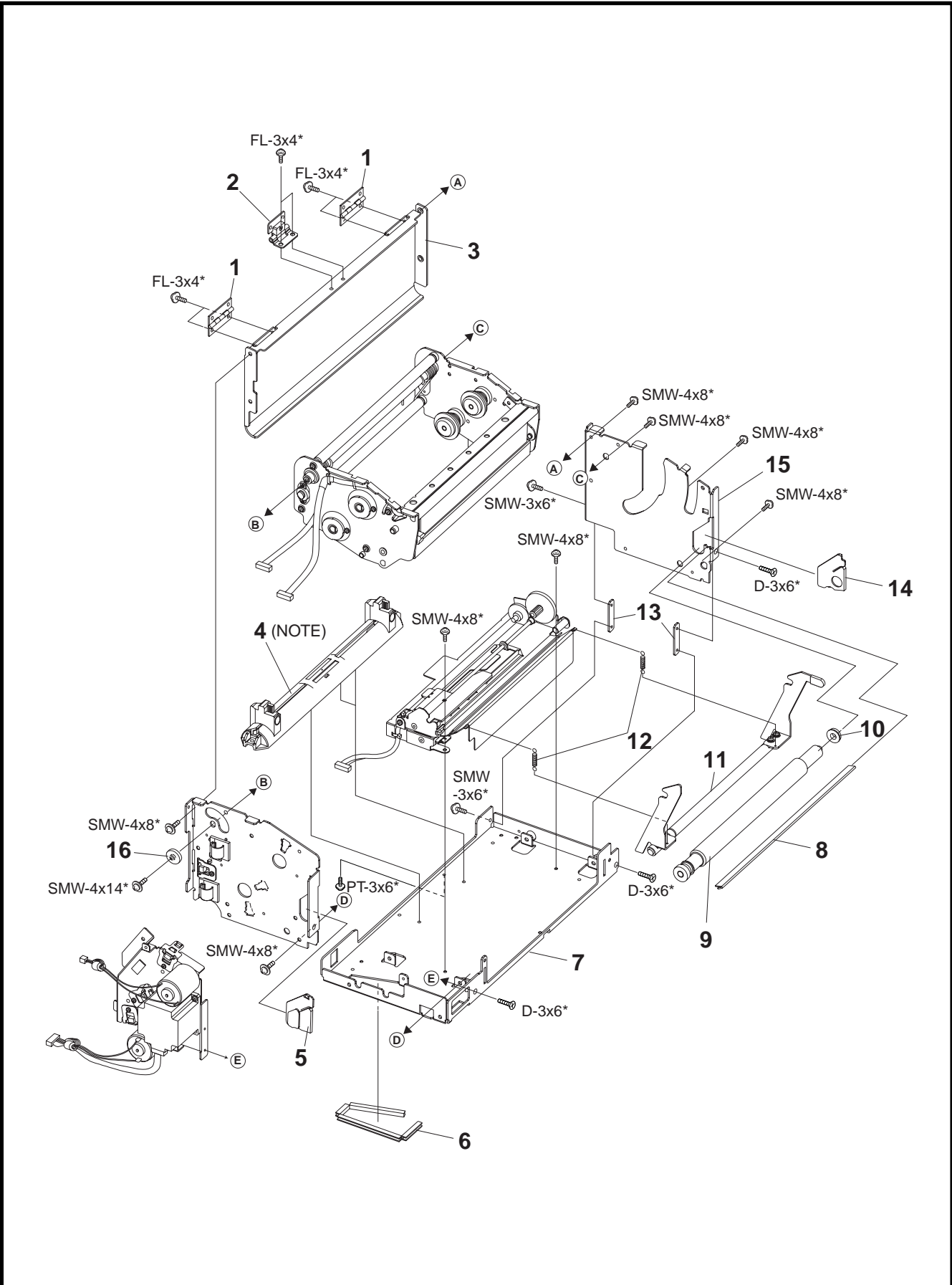
Ref. No.	Part No.	Description	RoHS	Remarks	A	B	C	D	E	F	G	H	Recommended Parts
	8VD01189100	PS Unit (100/120V)			0	0	0	1	0				E
	8VD01189200	PS Unit (220/240V)			0	0	0	0	1				E
1-24	VDQB0014201	Reactor HL-B850-EU-02			0	1	1	0	0				
	7FM02024000	Reactor HL-B850-EU-02			0	0	0	0	1				
1-25	FMEB0130901	Switch Cover	R		1	1	1	0	0				
	FMEB0013902	Switch Cover			0	0	0	1	1				
1-26	FMED0035101	Front Cover	R		1	1	1	0	0				
	FMED0035102	Front Cover			0	0	0	1	1				
1-27	FMEE0017801	Side Cover R	R		1	1	1	0	0				
	FMEE0017802	Side Cover R			0	0	0	1	1				
1-28	FMMC0025001	Supply Path Label			1	1	0	1	1				
	7FM00623000	Supply Path Label			0	0	1	0	0				
1-29	FMBB0025701	Caution Label	R		1	1	0	1	1				
	7FM00665000	Caution Label			0	0	1	0	0				
1-30	FMMC0025201	Supply Loading Instruction Label			1	1	0	1	1				
	7FM00624000	Supply Loading Instruction Label			0	0	1	0	0				

**2** -1 FEED BLOCK





**2** -2 FEED BLOCK (B-852-R)



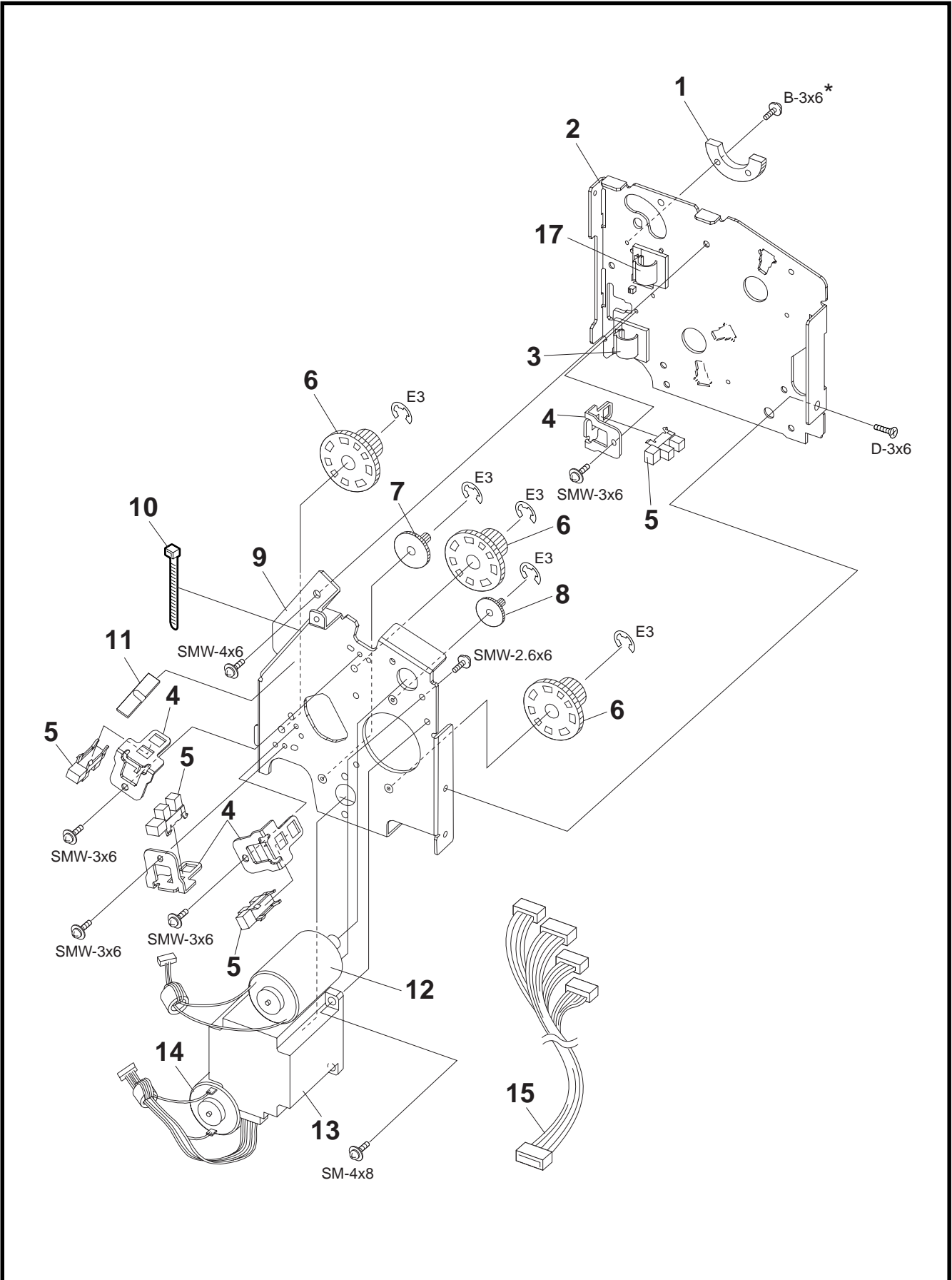
2. FEED BLOCK

EO8-33009A  
B-850 SERIES MAR., 2006

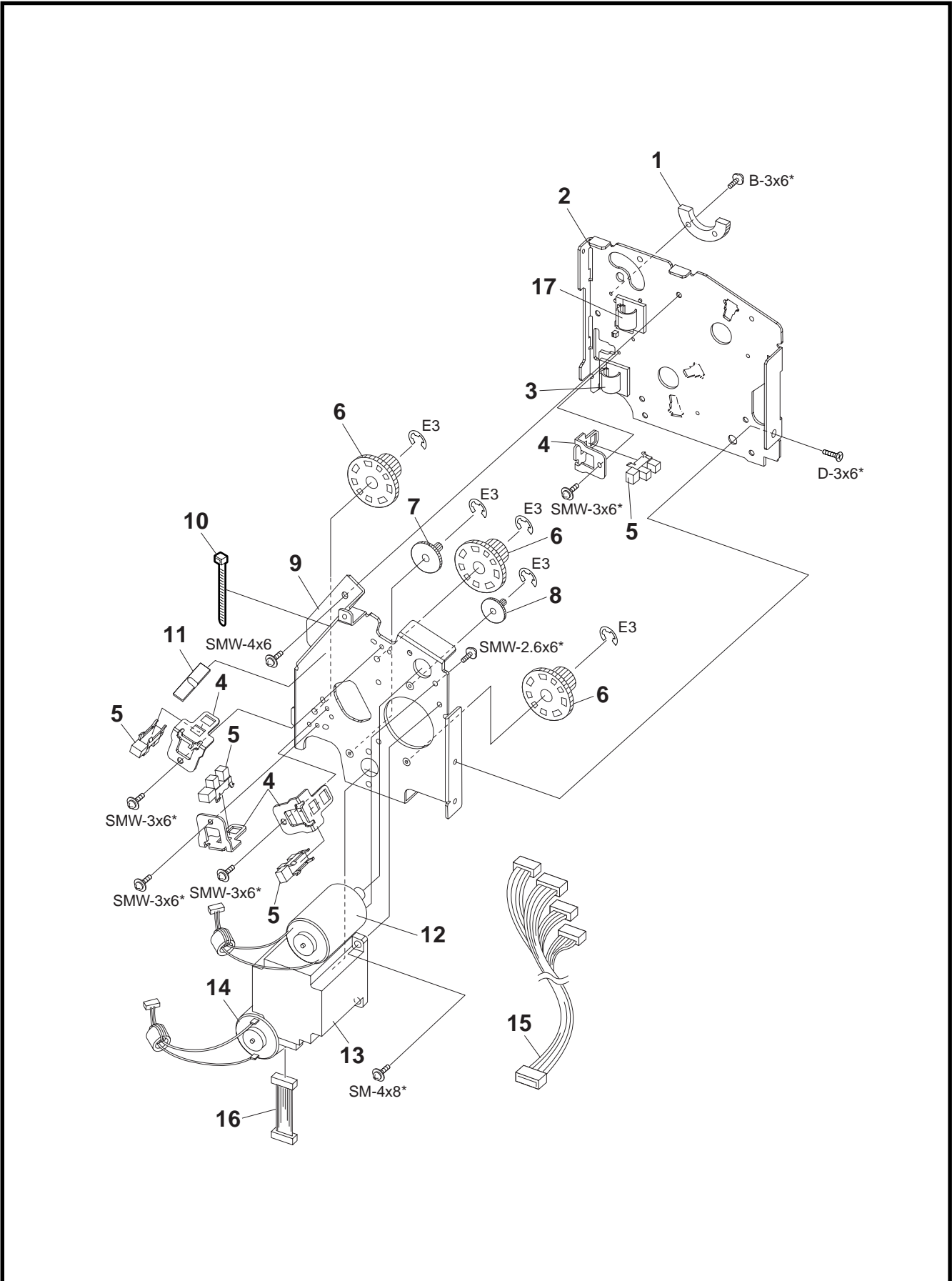
Ref. No.	Part No.	Description	RoHS	Remarks	A	B	C	D	E	F	G	H	Recommended Parts
2-1	F0-00058000	Hinge TH-TM-86SUS	R		2	2	2	2	2				
2-2	F0-00056000	Hinge TH-125-5	R		1	1	1	1	1				
2-3	FMED0034801	Back Plate	R		1	1	1	1	1				
2-4	FMBD0042301	Paper Guide Ass'y			1	1	1	0	0				E
	FMBD0042302	Paper Guide Ass'y			0	0	0	1	1				E
2-5	FMHC0025101	Platen Holder L	R		1	1	1	1	1				
2-6	FMQB0078701	Edge Guard	R		1	1	1	1	1				
2-7	FMCC0057001	Base	R		1	1	1	0	0				
	FMCC0057002	Base			0	0	0	1	1				
2-8	FMEC0071802	Strip Plate	R		1	1	1	1	1				
2-9	FMCC0054701	Platen			1	1	1	1	1				
2-10	FAA-0056001	Shaft Holder LNR-1680HHR	R		1	1	1	1	1				
2-11	FMBC0089801	Head Block Release Lever			1	1	1	0	0				
	FMBC0089802	Head Block Release Lever			0	0	0	1	1				
2-12	F0-00694000	Hook Spring E-653	R		2	2	2	2	2				
2-13	FMEB0129301	Base Joint Plate	R		2	2	2	0	0				
	FMEB0129302	Base Joint Plate			0	0	0	2	2				
2-14	FMHC0025201	Platen Holder R	R		1	1	1	1	1				
2-15	FMEE0017502	Main Frame R	R		1	1	1	1	1				
2-16	F0-00417000	Shaft Holder F4-35	R		1	1	1	1	1				B

A: B-852-TS12-QQ B: B-852-TS12-QP C: B-852-TS12-CN D: B-852-TS22-QQ-R E: B-852-TS22-QP-R

**3** -1 MOTOR BLOCK



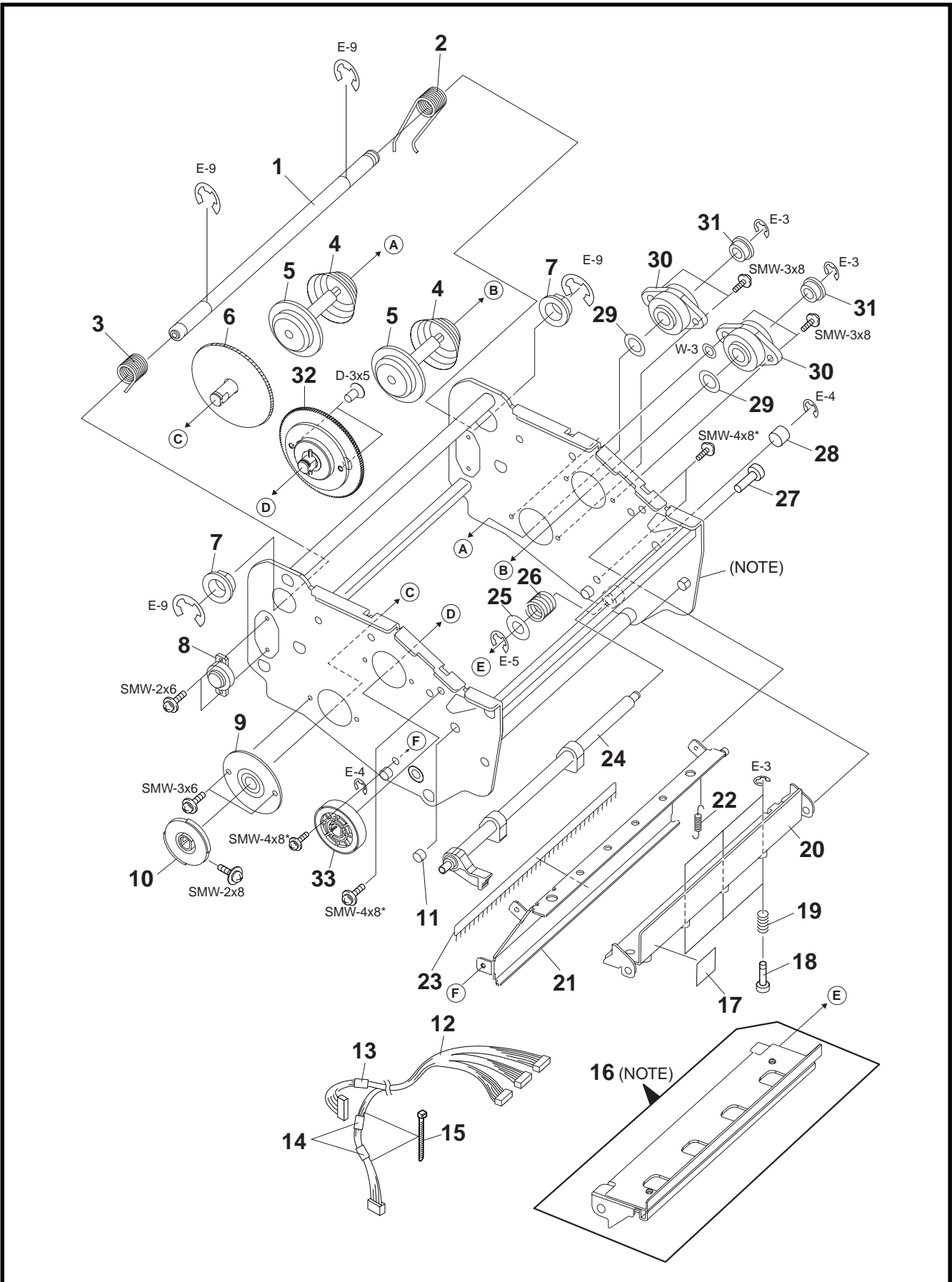
**3** -2 MOTOR BLOCK (B-852-R)



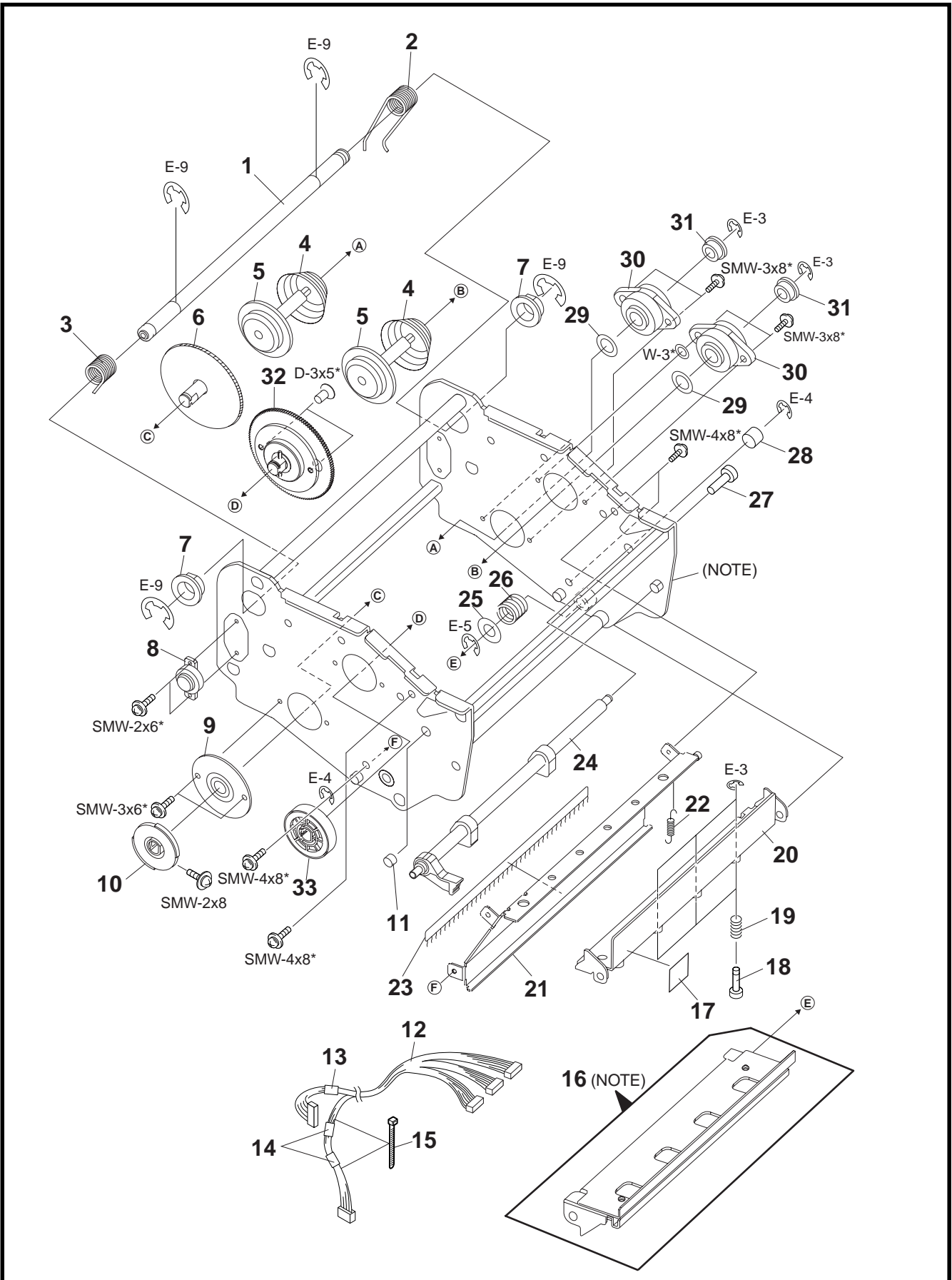
3. MOTOR BLOCK

Ref. No.	Part No.	Description	RoHS	Remarks	A	B	C	D	E	F	G	H	Recommended Parts
3-1	FMHC0018701	Damper Gear			1	1	1	1	1				D
3-2	FMEE0017401	Main Frame L	R		1	1	1	1	1				
3-3	F0-00599000	Cable Clamp DKN-10G	R		1	1	1	1	1				
3-4	FMEC0071701	Slit Sensor Holder	R		4	4	4	0	0				
	FMCC0071702	Slit Sensor Holder			0	0	0	4	4				
3-5	C0-11118000	Slit Sensor TLP1242 (C6 F)	R		4	4	4	4	4				B
3-6	FMHC0024401	Ribbon Motor Gear A	R		3	3	3	3	3				D
3-7	FMHB0003401	Idler Gear A	R		1	1	1	1	1				D
3-8	FMHB0003501	Idler Gear B	R		1	1	1	1	1				D
3-9	FMCC0053401	Gear Frame CK	R		1	1	1	0	0				
	FMCC0053403	Gear Frame CK			0	0	0	1	1				
3-10	F0-00188000	Cable Band SRT-108N	R		2	2	2	2	2				
3-11	F0-00136000	Cord Keep K-103G	R		1	1	1	2	2				
3-12	FMCB0106201	Ribbon Take-up Motor			1	1	1	0	0				E
	7FM01993000	Ribbon Motor			0	0	0	1	1				E
3-13	E0-04371000	Stepping Motor 23KM-K379-G3V	R		1	1	1	1	1				E
3-14	FMCB0106301	Ribbon Feed Motor			1	1	1	0	0				E
	7FM01993000	Ribbon Motor			0	0	0	1	1				E
3-15	FMCC0052601	Slit Sensor Harness	R		1	1	1	0	0				E
	7FM01990000	Slit Sensor Harness			0	0	0	1	1				E
3-16	7FM01988000	Stepping Motor Harness			0	0	0	1	1				E
3-17	F0-00114000	Cable Clamp DKN-07	R		1	1	1	1	1				

**4 -1 PRINTER HEAD BLOCK**



**4 -2 PRINTER HEAD BLOCK (B-852-R)**



#### 4. PRINT HEAD BLOCK

EO8-33009A  
B-850 SERIES MAR., 2006

Ref. No.	Part No.	Description	RoHS	Remarks	A	B	C	D	E	F	G	H	Recommended Parts
4-1	FMDC0013201	Print Head Block Shaft	R		1	1	1	1	1				
4-2	FMKB0011601	Ribbon Torsion Spring R	R		1	1	1	1	1				
4-3	FMKB0011501	Ribbon Torsion Spring L	R		1	1	1	1	1				
4-4	FMKB0011701	Ribbon Spring	R		2	2	2	2	2				
4-5	FMCB0106601	Ribbon Core Guide CK			2	2	2	2	2				
4-6	FMCB0106401	Ribbon Winding Core			1	1	1	1	1				
4-7	F0-00699000	Shaft Holder F12-4			2	2	2	2	2				B
4-8	HZC-0035001	One Way Clutch FRT-NE12	R		1	1	1	1	1				
4-9	FMCB0106501	Ribbon Hub			1	1	1	1	1				
4-10	FMHC0019502	Ribbon Gear			1	1	1	1	1				D
4-11	F0-00592000	Shaft Holder R-ML0606	R		1	1	1	1	1				B
4-12	FMCC0052503	Print Head Harness	R		1	1	1	0	0				E
	7FM01989000	Print Head Harness			0	0	0	1	1				E
4-13	D0-07206000	Ferrite Core E04SR200935A	R										
4-14	D0-07204000	Ferrite Core E04SR150718	R		2	2	2	2	2				
4-15	F0-00563000	Cable Band PLT1M	R		9	9	9	9	9				
4-16	FMBC0089702	Print Head Ass'y			1	0	0	0	0				A
	FMBC0089703	Print Head Ass'y			0	1	1	0	0				A
	FMBC0089705	Print Head Ass'y			0	0	0	1	0				A
	FMBC0089706	Print Head Ass'y			0	0	0	0	1				A
4-17	FMMB0072601	Head Pressure Label			1	1	1	1	1				
4-18	FMDB0085001	Head Stud	R		4	4	4	4	4				
4-19	F0-00688000	Head Pressure Spring C222	R		4	4	4	4	4				
4-20	FMCC0053701	Head Pressure Plate	R		1	1	1	1	1				
4-21	FMEE0017101	Head Support Plate	R		1	1	1	1	1				
4-22	F0-00693000	Spring E641	R		1	1	1	1	1				
4-23	FMQB0045801	Anti-static Brush	R		1	1	1	1	1				
4-24	FMCC0053801	Head Cam Shaft			1	1	1	1	1				
4-25	FMEB0130501	Head Lock Washer	R		1	1	1	0	0				
	FMEB0013502	Head Lock Washer			0	0	0	1	1				
4-26	F0-00689000	Spring C233	R		1	1	1	1	1				
4-27	FMDB0084501	Head Pin R	R		1	1	1	1	1				
4-28	F0-00593000	Shaft Holder R-ML0608	R		1	1	1	1	1				
4-29	FMEB0131501	Ribbon Washer	R		2	2	2	2	2				
4-30	FMCB0106701	Oneway Housing			2	2	2	2	2				
4-31	FMHB0031401	Ribbon Core Lever	R		2	2	2	2	2				

A: B-852-TS12-QQ B: B-852-TS12-QP C: B-852-TS12-CN D: B-852-TS22-QQ-R E: B-852-TS22-QP-R



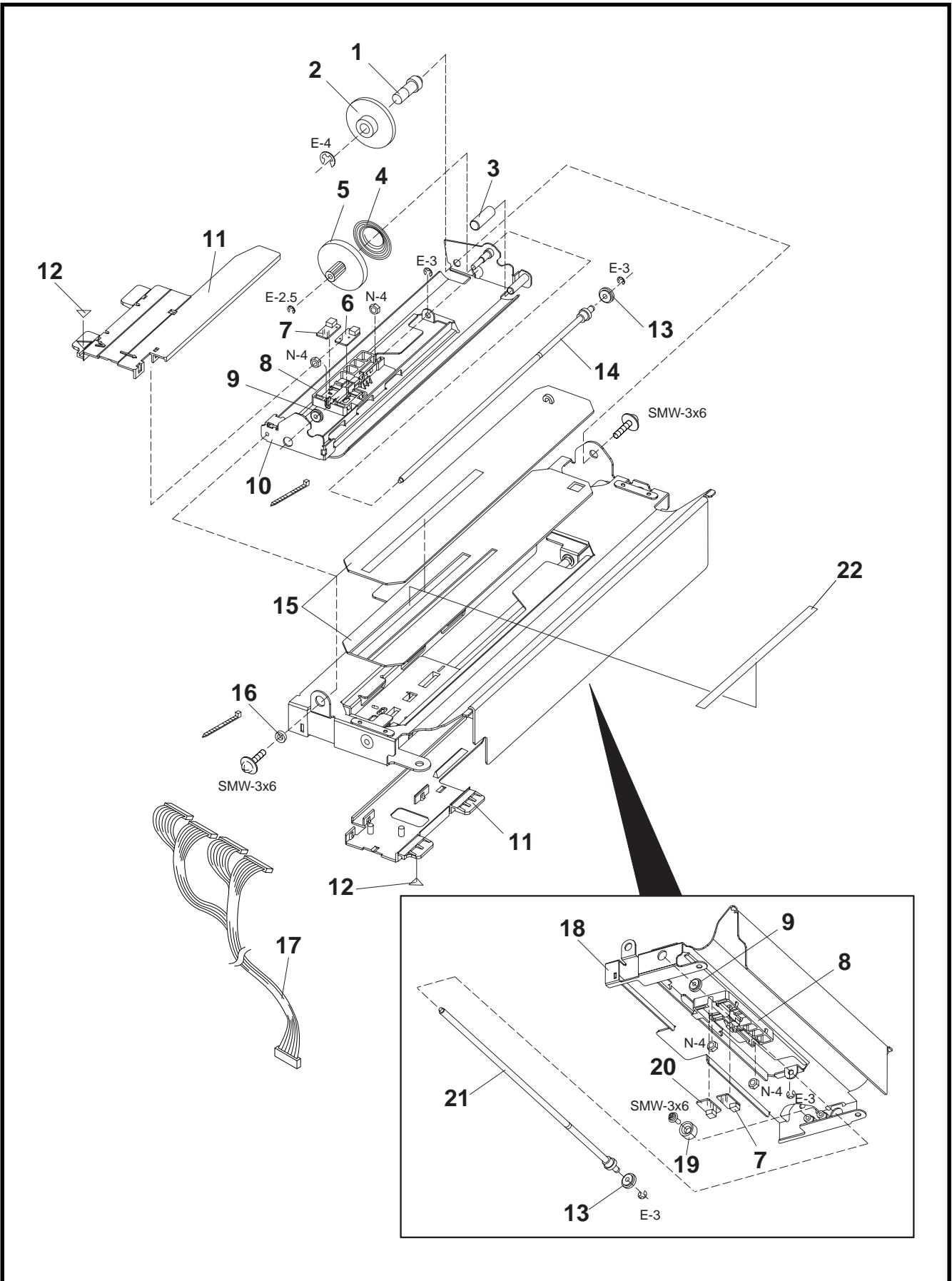
**4. PRINT HEAD BLOCK**

EO8-33009A  
B-850 SERIES MAR., 2006

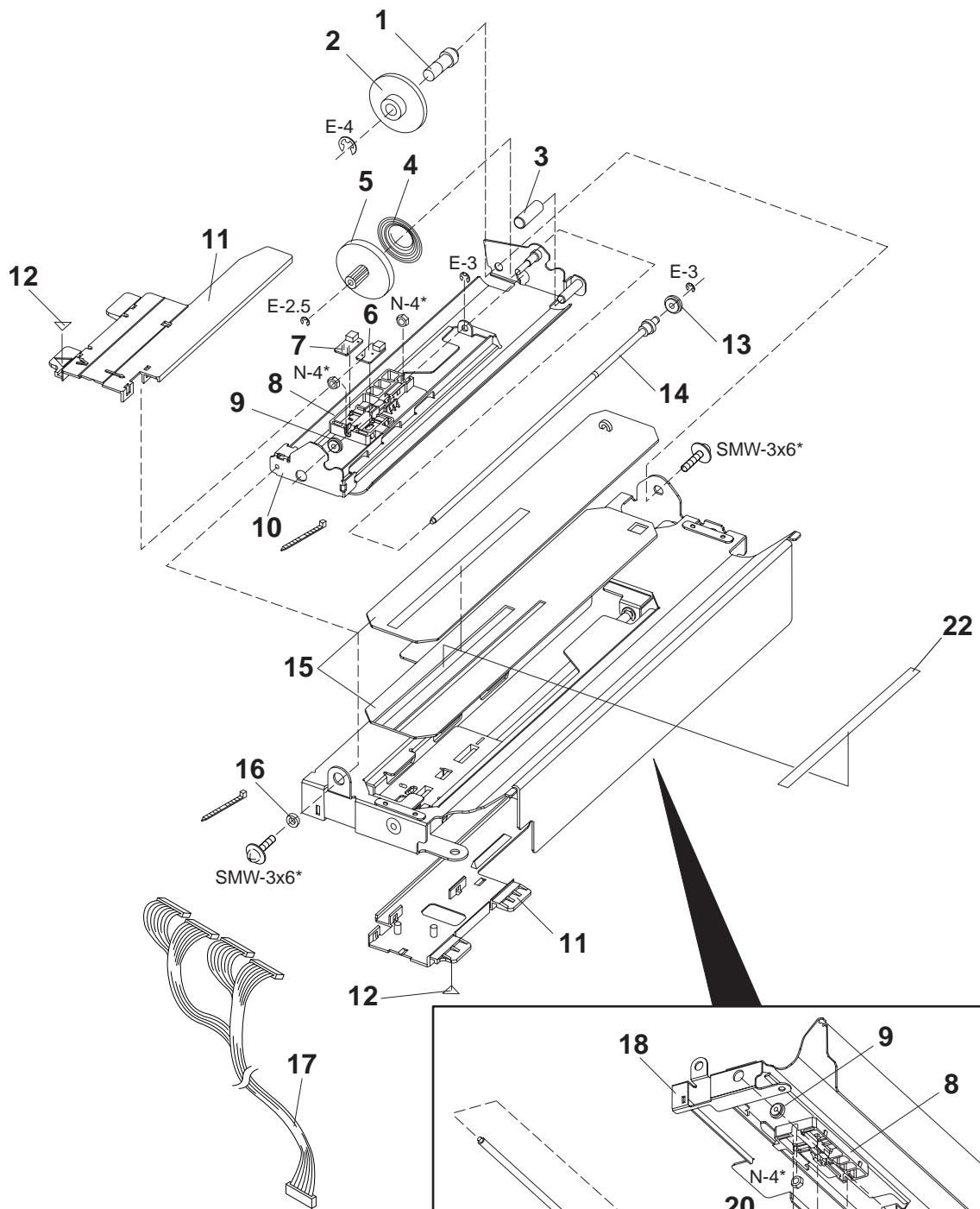
Ref. No.	Part No.	Description	RoHS	Remarks	A	B	C	D	E	F	G	H	Recommended Parts
4-32	FMCB0109801	Ribbon Winding Core N			1	1	1	1	1				
4-33	FMHC0026101	Ribbon Gear N	R		1	1	1	1	1				D

A: B-852-TS12-QQ B: B-852-TS12-QP C: B-852-TS12-CN D: B-852-TS22-QQ-R E: B-852-TS22-QP-R

**5 -1 MEDIA SENSOR BLOCK**



**5 -2 MEDIA SENSOR BLOCK (B-852-R)**



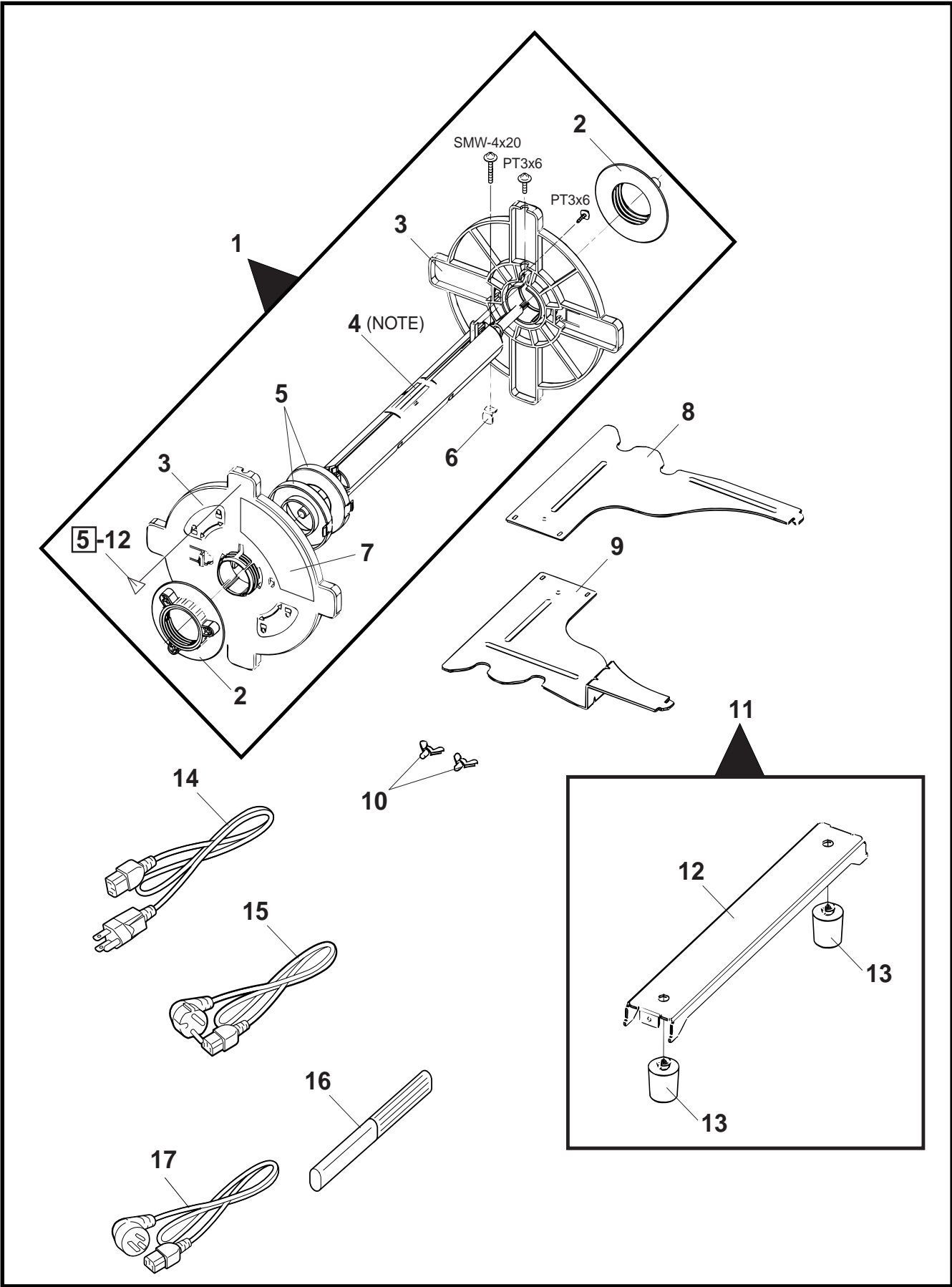
5. MEDIA SENSOR BLOCK

EO8-33009A  
B-850 SERIES MAR., 2006

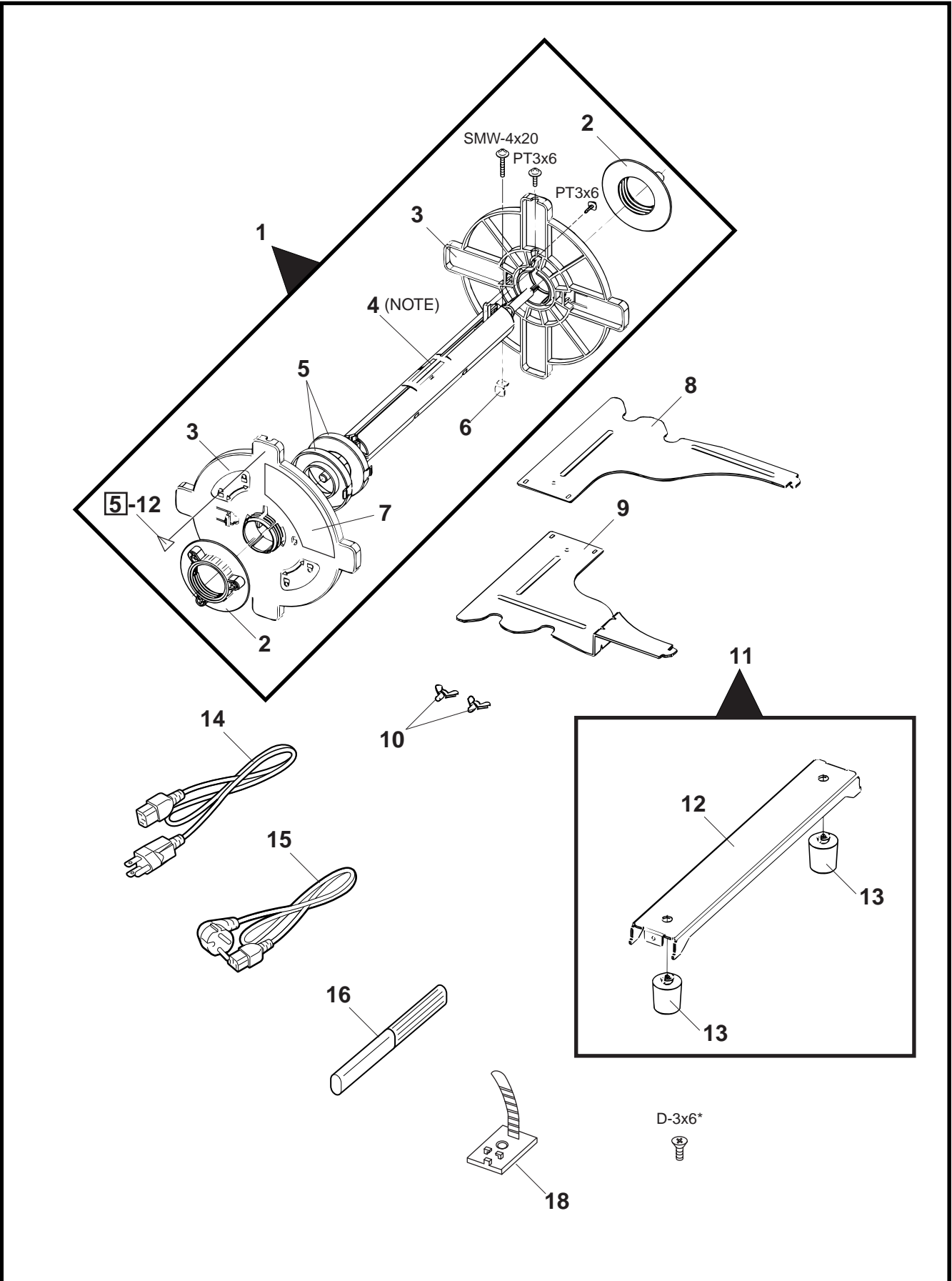
Ref. No.	Part No.	Description	RoHS	Remarks	A	B	C	D	E	F	G	H	Recommended Parts
5-1	FMDB0085401	Sensor Center Gear Stud	R		1	1	1	1	1				
5-2	EBHB0008701	Idler Gear 2	R		1	1	1	1	1				D
5-3	FMQB0080501	Sensor Lift Tab Cap			1	1	1	1	1				
5-4	FMKB0011901	Sensor Spring	R		1	1	1	1	1				
5-5	FMHC0024901	Sensor Slide Gear	R		1	1	1	1	1				D
5-6	FMBB0062602	Feed Gap Sensor (TR)			1	1	1	0	0				B
	7FM01970100	Feed Gap Sensor (TR)			0	0	0	1	1				B
5-7	FMBB0062701	Black Mark Sensor			2	2	2	0	0				B
	7FM01974000	Black Mark Sensor			0	0	0	2	2				B
5-8	FMHE0011101	Sensor Case	R		2	2	2	2	2				
5-9	F0-00575000	Shaft Holder F3-29	R		2	2	2	2	2				B
5-10	FMCC0053901	Sensor Paper Guide (Upper)	R		1	1	1	1	1				
5-11	FMHE0011201	Sensor Case Cap	R		2	2	2	2	2				
5-12	FMQB0079701	Sensor Sticker	R		3	3	3	3	3				
5-13	F0-00418000	Shaft Holder F4-59	R		2	2	2	2	2				
5-14	FMCC0054101	Sensor Adjustment Shaft (Upper)			1	1	1	1	1				
5-15	FMHD0012902	Sensor Window Plate	R		2	2	2	2	2				
5-16	FMDB0086401	Guide Rotor Pin	R		1	1	1	1	1				
5-17	FMCB0104101	Media Sensor Harness	R		1	1	1	0	0				E
	7FM01991000	Media Sensor Harness			0	0	0	1	1				E
5-18	FMCC0054001	Sensor Paper Guide (Lower)	R		1	1	1	1	1				
5-19	FMHB0033201	Pinion	R		2	2	2	2	2				D
5-20	FMBB0062601	Feed Gap Sensor (LED)			1	1	1	0	0				B
	7FM01970000	Feed Gap Sensor (LED)			0	0	0	1	1				B
5-21	FMCC0054201	Sensor Adjustment Shaft (Lower)			1	1	1	1	1				
5-22	FMQB0081101	Sensor Filter Sheet			2	2	2	2	2				

A: B-852-TS12-QQ B: B-852-TS12-QP C: B-852-TS12-CN D: B-852-TS22-QQ-R E: B-852-TS22-QP-R

**6 -1 ACCESSORIES**



**6** -2 ACCESSORIES (B-852-R)



6. ACCESSORIES

EO8-33009A  
B-850 SERIES MAR., 2006

Ref. No.	Part No.	Description	RoHS	Remarks	A	B	C	D	E	F	G	H	Recommended Parts
6-1	FMBD0042701	Supply Holder Unit			1	1	0	0	0				E
	FMBD0042702	Supply Holder Unit			0	0	1	0	0				E
	FMBD0042703	Supply Holder Unit			0	0	0	1	1				E
6-2	FMHC0022701	Supply Holder Locking Knob			2	2	2	2	2				
6-3	FMHE0010802	Supply Holder	R		2	2	2	2	2				
6-4	FMBC0092001	Supply Shaft			1	1	1	0	0				
	FMBC0092002	Supply Shaft			0	0	0	1	1				
6-5	FMHC0015402	Supply Holder Spacer	R		2	2	2	2	2				
6-6	FMEB0130801	Supply Stopper			1	1	1	0	0				
	FMEB0130802	Supply Stopper			0	0	0	1	1				
6-7	FMMC0025601	Supply Holder Caution Sticker	R		1	1	0	1	1				
	7FM00618000	Supply Holder Caution Sticker			0	0	1	0	0				
6-8	FMED0035301	Supply Holder Frame R	R		1	1	1	1	1				
6-9	FMED0035201	Supply Holder Frame L	R		1	1	1	1	1				
6-10	X20L0406130	Wing Bolt M-4x6			2	2	2	0	0				
	F0-01491000	Wing Bolt CFWB-M4			0	0	0	2	2				
6-11	FMBB0063401	Supply Holder Base Ass'y			1	1	1	1	1				
6-12	FMED0035402	Supply Holder Base Plate			1	1	1	1	1				
6-13	FFC-0051002	Plastic Foot			2	2	2	2	2				
6-14	FBCB0030202	Power Cord (US type)	R		1	0	0	1	0				D
6-15	EKA-0055001	Power Cord (EU type)			0	1	0	0	1				D
6-16	24089500013	Print Head Cleaner	R		1	1	1	1	1				A
6-17	7FM01062000	Power Cord (CN type)			0	0	1	0	0				D
6-18	F0-00200000	Cable Clamp UL-13	R		0	0	0	1	1				

## 7. MISCELLANOUS PARTS

EO8-33009A  
B-850 SERIES MAR., 2006

Ref. No.	Part No.	Description	RoHS	Remarks	A	B	C	D	E	F	G	H	Recommended Parts
B-3x6*	X0-00430000	Bind Screw M-3x6	R										
B-4x6*	X0-00449000	Bind Screw M-4x6	R										
D-3x5	X0-00313000	Dish Head Screw M-3x5											
D-3x5*	X0-00315000	Dish Head Screw M-3x5											
D-3x6	X0-00316000	Dish Head Screw M-3x6											
D-3x6*	X0-00317000	Dish Head Screw M-3x6	R										
D-3x8	X0-00321000	Dish Head Scrwe M-3x8											
D-3x8*	X0-02011000	Dish Head Screw M-3x8											
D-4x6	X0-00336000	Dish Head Screw M-4x6											
D-4x6*	X0-00337000	Dish Head Screw M-4x6											
FL-3x4	X0-00471000	Flanged Screw M-3x4											
FL-3x4*	X0-02375000	Flanged Screw M-3x4											
SM-4x8	X0-00159000	Sems Screw M-4x8											
SM-4x8*	X0-00163000	Sems Screw M-4x8											
SMW-2x6	X0-00013000	Double Sems Screw M-2x6		Small washer									
SMW-2x6*	X0-02365000	Double Sems Screw M-2x6		Small washer									
SMW-2x8	X0-00021000	Double Sems Screw M-2x8		Small washer									
SMW-2x8*	X0-02366000	Double Sems Scrwe M-2x8		Small washer									
SMW-2.6x6	X0-00293000	Double Sems Screw M-2.6x6											
SMW-2.6x6*	X0-02103000	Double Sems Screw M-2.6x6											
SMW-3x6	X0-00056000	Double Sems Screw M-3x6											
SMW-3x6*	X0-00060000	Double Sems Screw M-3x6	R										
SMW-3x10	X0-00090000	Double Sems Screw M-3x10											
SMW-3x10*	X0-01950000	Double Sems Scrwe M-3x10											
SMW-3x16	X0-00120000	Double Sems Screw M-3x16											
SMW-3x16*	X0-02031000	Double Sems Screw M-3x16											
SMW-3x20	X0-00129000	Double Sems Screw M-3x20											
SMW-3x20*	X0-00130000	Double Sems Screw M-3x20											
SMW-4x6	X0-00151000	Double Sems Screw M-4x6											
SMW-4x6*	X0-00152000	Double Sems Screw M-4x6											
SMW-4x8	X0-00161000	Double Sems Screw M-4x8											
SMW-4x8*	X0-00164000	Double Sems Screw M-4x8	R										
SMW-4x14	X0-00193000	Double Sems Screw M-4x14											
SMW-4x14*	X0-02374000	Double Sems Screw M-4x14											
SMW-4x20	X0-00205000	Double Sems Screw M-4x20											
SMW-4x20*	X0-02032000	Double Sems Screw M-4x20											
PT-3x6	X0-00591000	P-TITE Screw M-3x6											
PT-3x6*	X0-00595000	P-TITE Screw M-3x6	R										
PT-3x8	X0-00602000	P-TITE Screw M-3x8	R										

A: B-852-TS12-QQ B: B-852-TS12-QP C: B-852-TS12-CN D: B-852-TS22-QQ-R E: B-852-TS22-QP-R



**7. MISCELLANEOUS PARTS**

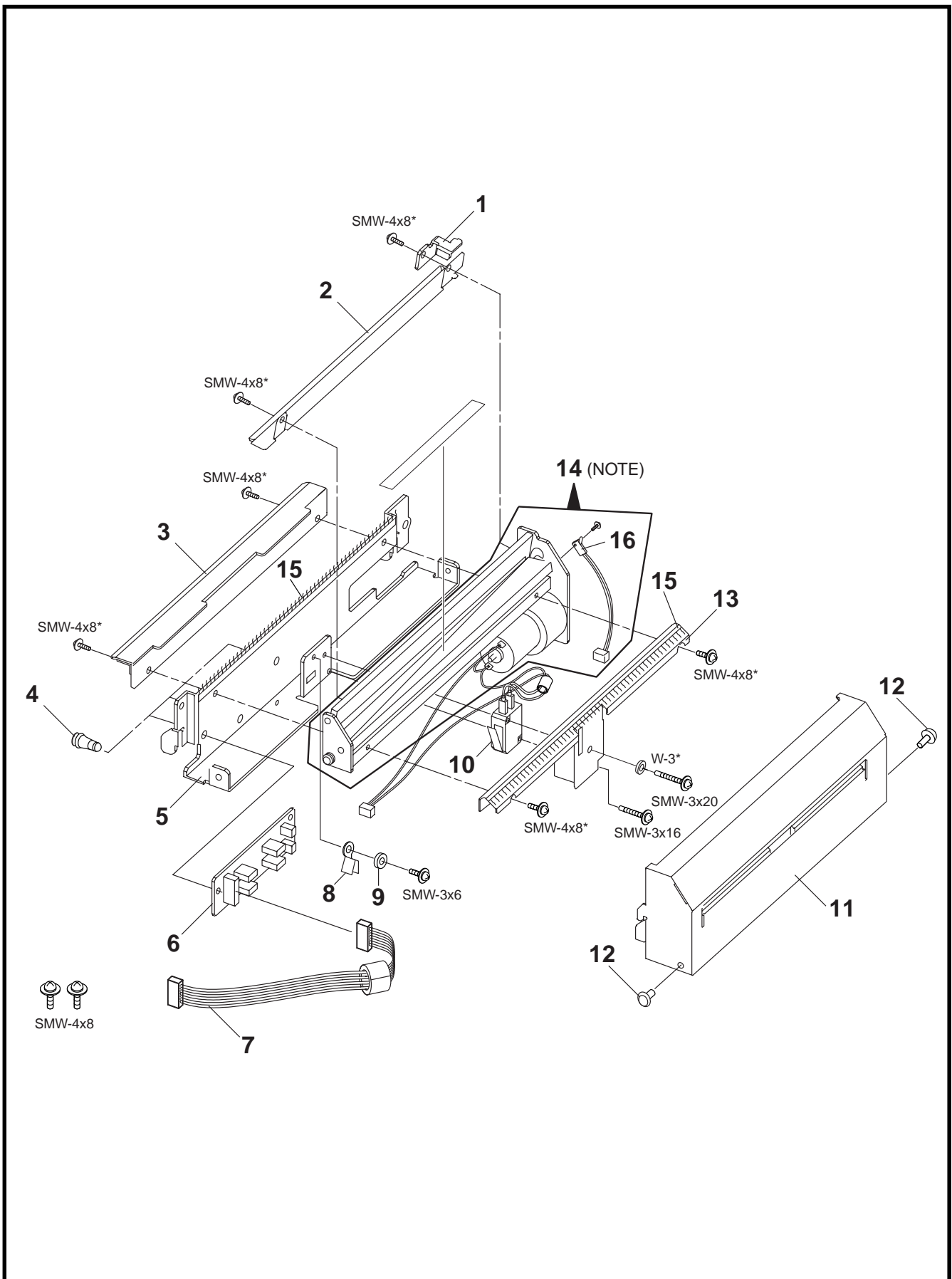
EO8-33009A  
B-850 SERIES MAR., 2006

Ref. No.	Part No.	Description	RoHS	Remarks	A	B	C	D	E	F	G	H	Recommended Parts
TT-3x8	X0-00661000	Tapping Screw M-3x8											
TT-3x8*	X0-02105000	Tapping Screw M-3x8											
W-3	X0-00932000	Washer M-3											
W-3*	X0-01827000	Washer M-3											
W-4	X0-00936000	Washer M-4											
W-4*	X0-00937000	Washer M-4											
N-4	X0-00850000	Nut M-4											
N-4*	X0-02357000	Nut M-4											
E-2.5	X0-00974000	Retaining Ring E type M-2.6	R										
E-3	X0-00964000	Retaining Ring E type M-3	R										
E-4	X0-00965000	Retaining Ring E type M-4	R										
E-5	X0-00966000	Retaining Ring E type M-5	R										
E-9	X0-00970000	Retaining Ring E type M-9											

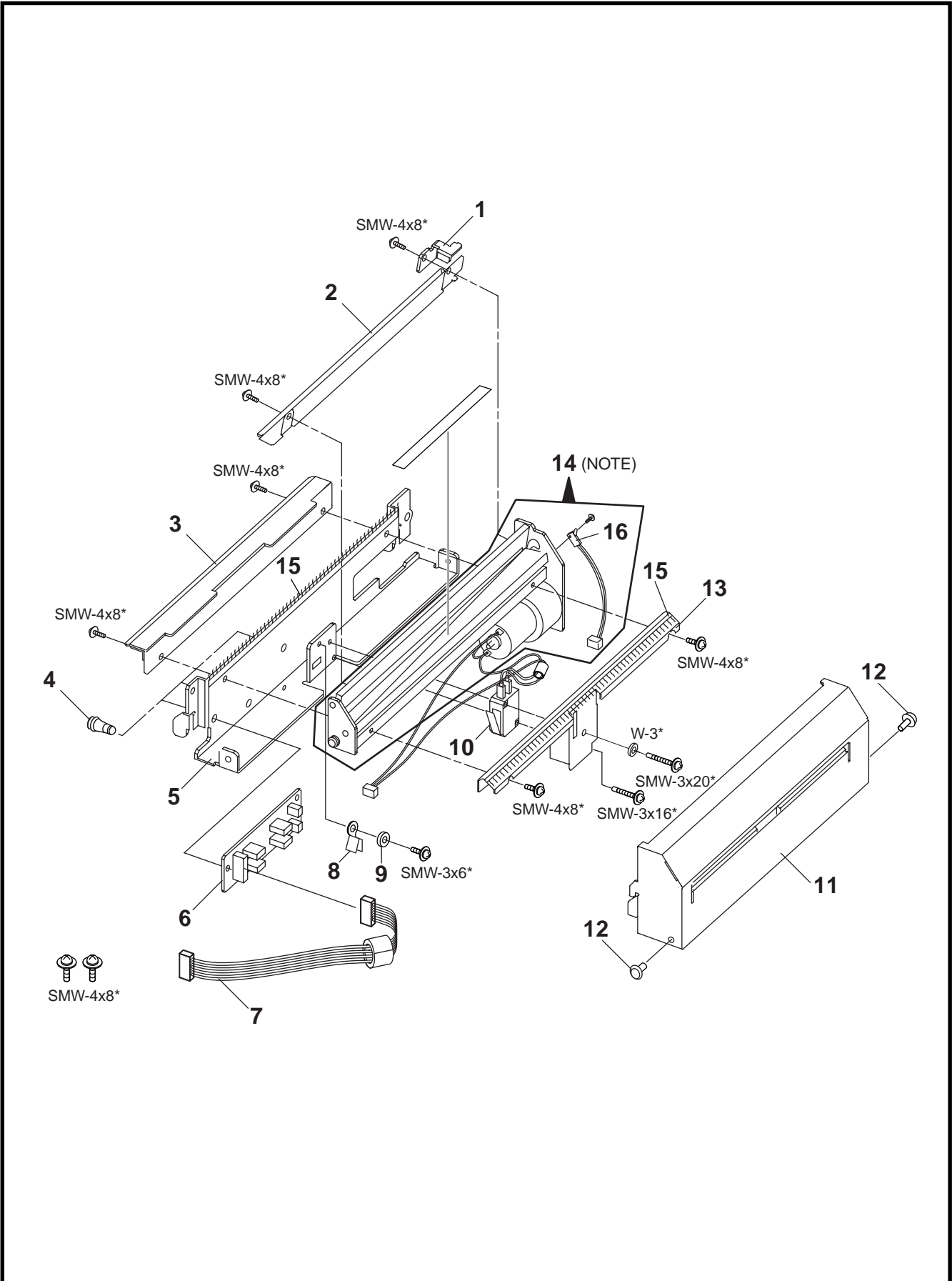
# OPTIONAL PARTS

EO8-33009A  
B-850 SERIES MAR., 2006

## 30 -1 CUTTER MODULE (B-7208-QM)



**30** -2 CUTTER MODULE (B-7208-QM-R)



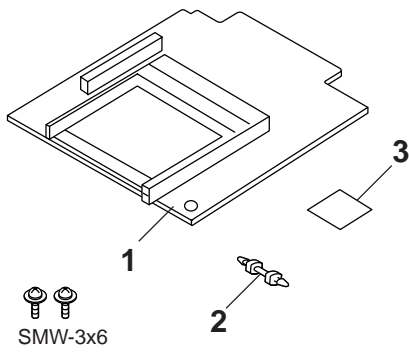
**30. CUTTER MODULE (B-7208-QM/QM-R)**

EO8-33009A  
B-850 SERIES MAR., 2006

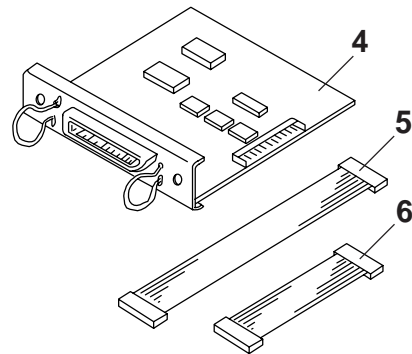
Ref. No.	Part No.	Description	RoHS	Remarks	A	B	C	D	E	F	G	H	Recommended Parts
30-1	FMEC0073101	Cutter Lever	R		1	0							
	FMEC0073102	Cutter Lever			0	1							
30-2	FMEC0073201	Paper Guide (Upper)	R		1	1							
30-3	FMCC0057801	Paper Guide (Lower)	R		1	1							
30-4	F0-00151000	Locking Support LCS-6S	R		3	3							
30-5	FMEE0018403	Cutter Set Plate	R		1	0							
	FMEE0018404	Cutter Set Plate			0	1							
30-6	FMBB0062101	Cutter PCB Ass'y			1	0							E
	7FM01283000	Cutter PCB Ass'y			0	1							E
30-7	FMCB0104501	Cutter Harness	R		1	0							E
	7FM01986000	Cutter Harness			0	1							E
30-8	FMEB0131701	Cutter Switch Cam	R		1	1							
30-9	FMDB0085501	Sensor Rotor Pin	R		1	1							
30-10	FMBB0034402	Interlock Switch			1	0							E
	7FM01553100	Interlock Switch			0	1							E
30-11	FMCD0018702	Cutter Cover	R		1	0							E
	FMCD0018703	Cutter Cover			0	1							E
30-12	24741710408	Plastic Head Screw M-4x8			2	0							A
	7FM01620200	Plastic Head Screw M-4x8			0	2							A
30-13	FMED0036202	Paper Guide (Front)	R		1	1							
30-14	GFM-0069001	Cutter Unit			1	0							E
	G0-00415000	Cutter Unit			0	1							E
30-15	FMQB0045801	Anti-Static Brush	R		2	2							
30-16	FMYB0002001	Micro Switch											E

**31 OTHER OPTIONAL KITS (1)**

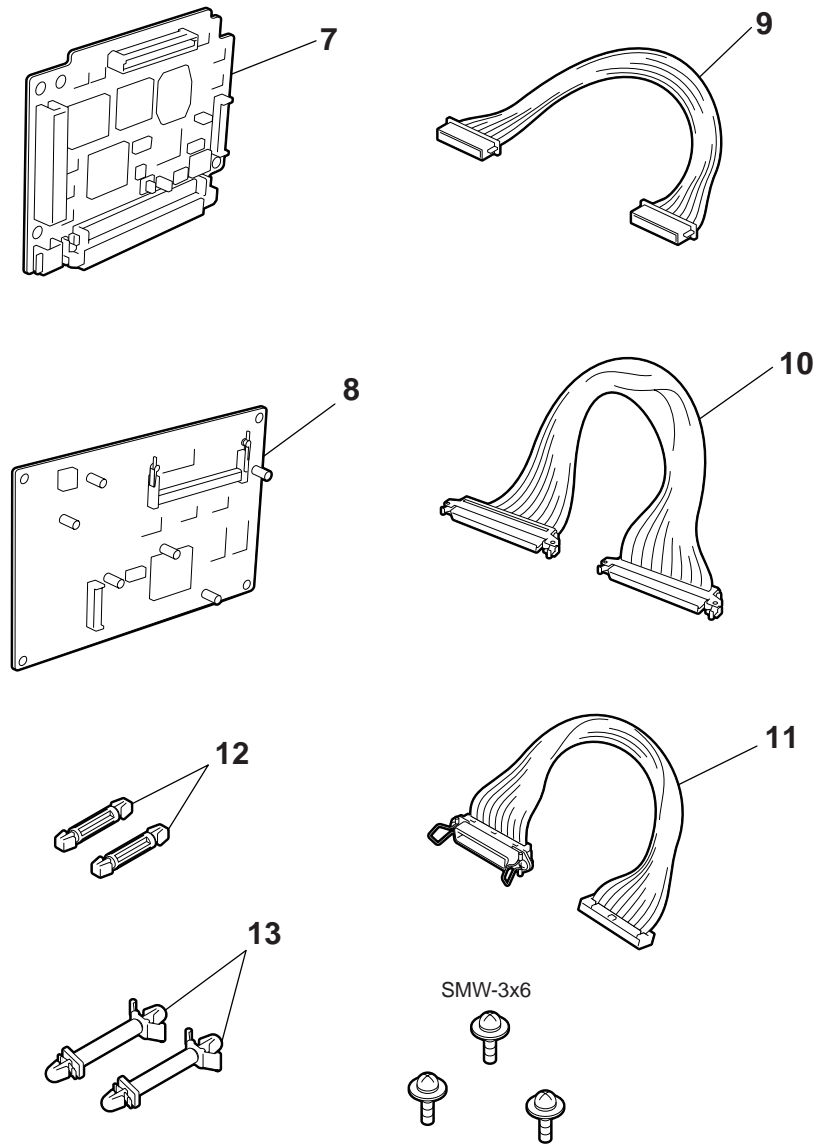
**B-7708-QM PCMCIA Interface Board**



**B-8700-IO-QM Expansion I/O Interface Board**



**B-7708-PCL-QM PCL5 Emulation Board**



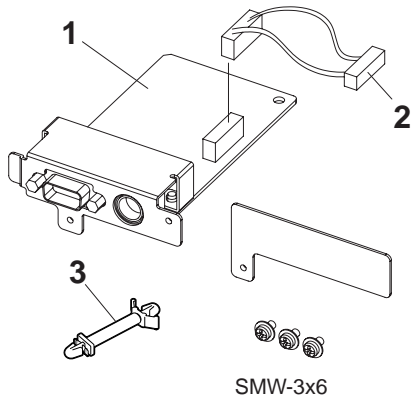
31.OTHER OPTIONAL KITS (1) (B-7208-QM/QM-R)

EO8-33009A  
B-850 SERIES MAR., 2006

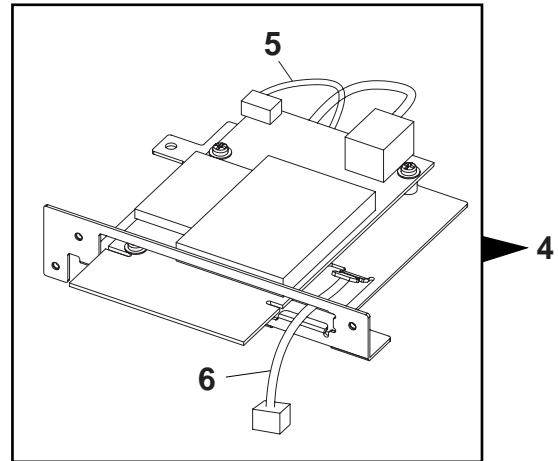
Ref. No.	Part No.	Description	RoHS	Remarks	A	B	C	D	E	F	G	H	Recommended Parts
<b>PCMCIA Interface Board: B-7708-PC-QM</b>													
31-1	-----	PCMCIA PC Board Ass'y			1	1	1	0	0				E
31-2	F0-00201000	Locking Support WPCS-15S-4.0			1	1	1	0	0				
31-3	FMQB0080801	Blind Sticker			1	1	1	0	0				
<b>Expansion I/O Interface Board: B-8700-IO-QM</b>													
31-4	-----	Expansion I/O PC Board Ass'y			1	1	1	0	0				E
31-5	FMCB0088801	Expansion I/O Harness (Long)			1	1	1	0	0				E
31-6	FMCB0104001	Expansion I/O Harness (Short)			1	1	1	0	0				E
<b>PCL5 Emulation Board: B-7708-PCL-QM</b>													
31-7	-----	PCL5 PC Board Ass'y			1	1	1	0	0				E
31-8	-----	AU1 PCON PC Board			1	1	1	0	0				E
31-9	FMCB0104701	RIP-I Harness			1	1	1	0	0				E
31-10	FMCB0104801	RIP-R Harness			1	1	1	0	0				E
31-11	FMCC0052701	RIP-C Harness			1	1	1	0	0				E
31-12	F0-00201000	Locking Support (Short) WPCS-15S-4.0			1	1	1	0	0				
31-13	F0-00143000	Locking Support (Long) LCBT-16S			1	1	1	0	0				

**32** OTHER OPTIONAL KITS (2)

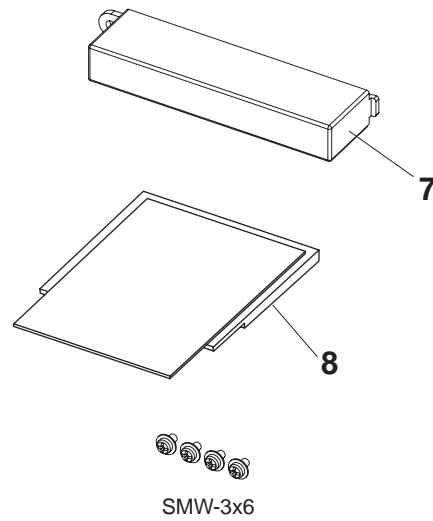
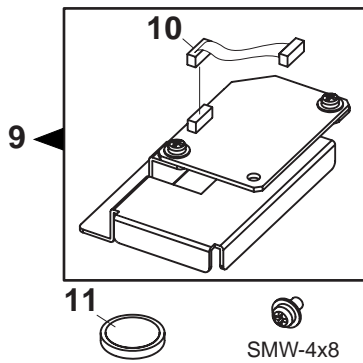
**B-SA704-RS-QM-R**



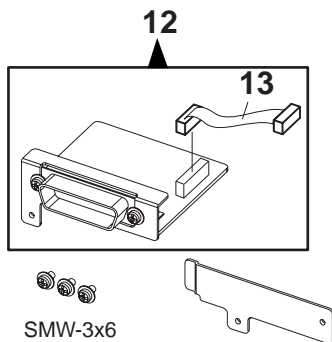
**B-SA704-WLAN-QM-R**



**B-SA704-RTC-QM-R**



**B-SA704-IO-QM-R**



32. OTHER OPTIONAL KITS (2)

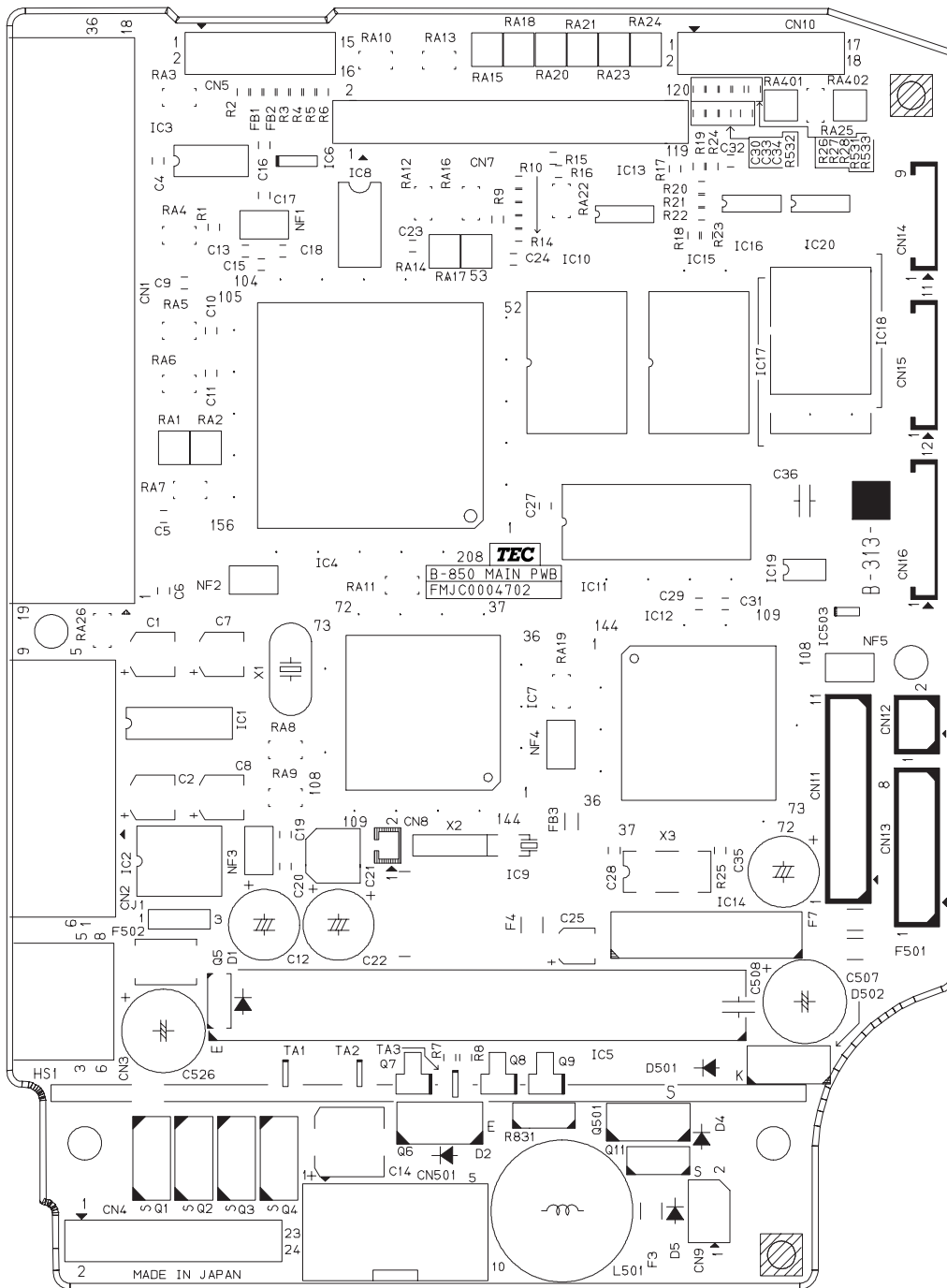
EO8-33009A  
B-850 SERIES MAR., 2006

Ref. No.	Part No.	Description	Remarks	A	B	C	D	E	F	Recommended Parts
<b>Serial Interface Board: B-SA704-RS-QM-R</b>										
32- 1	-----	Serial Interface PC Board		0	0	0	1	1		E
32- 2	7FM00795000	Serial Interface Cable		0	0	0	1	1		E
32- 3	F0-01510000	Locking Support WPCS-19S-4.0		0	0	0	1	1		
<b>Wireless LAN Module: B-SA704-WLAN-QM-R</b>										
32- 4	-----	Wireless LAN PC Board		0	0	0	1	1		E
32- 5	7FM01116000	Wireless LAN Power Cable		0	0	0	1	1		E
32- 6	7FM01117000	LAN Cable		0	0	0	1	1		E
32- 7	7FM01081000	Antenna Cover		0	0	0	1	1		
32- 8	7FM01799000	Shield Sheet		0	0	0	1	1		
<b>Real Time Clock: B-SA704-RTC-QM-R</b>										
32- 9	-----	Real Time Clock		0	0	0	1	1		E
32-10	7FM01796000	RTC Interface Cable		0	0	0	1	1		E
32-11	E0-04306000	Lithium Battery CR2032		0	0	0	1	1		E
<b>Expansion I/O Board: B-SA704-IO-QM-R</b>										
32-12	-----	Expansion I/O Board		0	0	0	1	1		E
32-13	7FM00796000	I/O Board Interface Cable		0	0	0	1	1		E

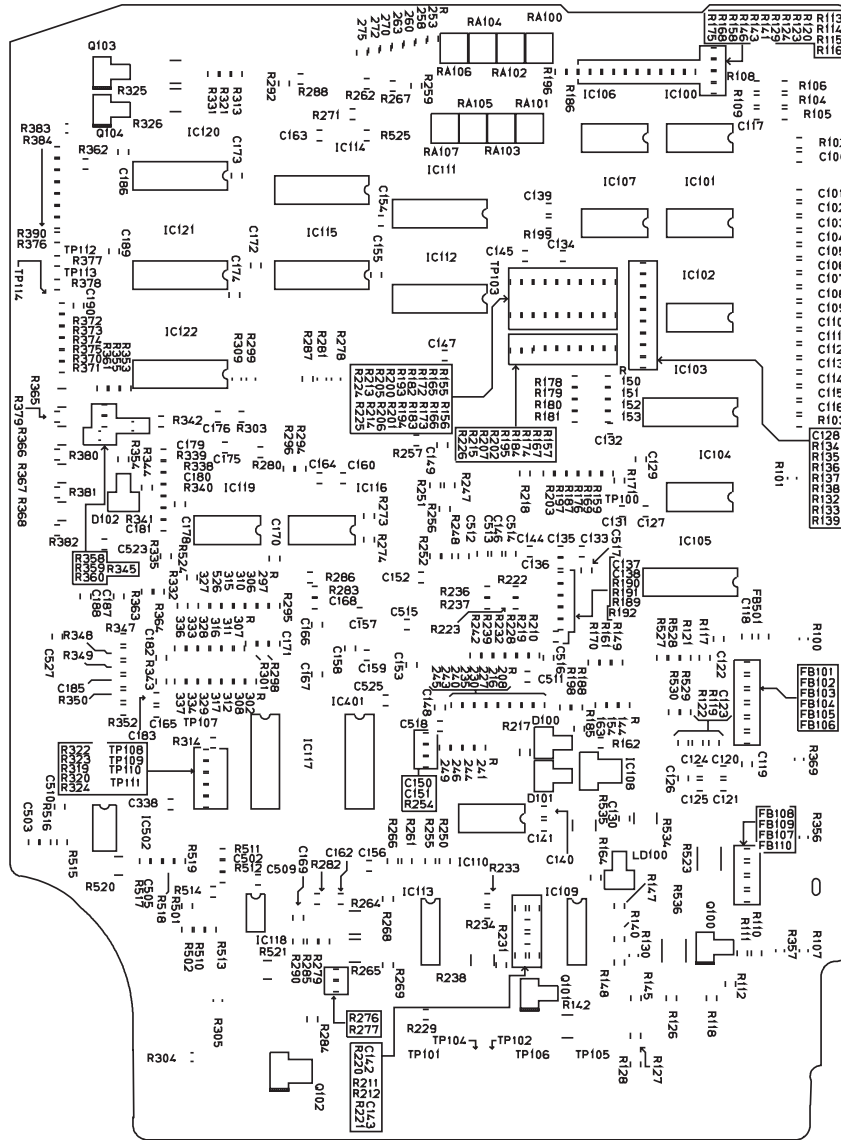
A: B-852-TS12-QQ B: B-852-TS12-QP C: B-852-TS12-CN D: B-852-TS22-QQ-R E: B-852-TS22-QP-R



**50** CPU PC BOARD ASS'Y 1/2



<Parts Side>



<Solder Side>

50. CPU PC BOARD ASS'Y 1

EO8-33009A  
B-850 SERIES MAR., 2006

Ref. No.	Part No.	Description	RoHS	Remarks	A	B	C	D	E	Recommended Parts
	FMBD0041701	CPU PC Board Ass'y (Serv No. B-313-01)			1	1				E
IC1	C0-03426001	IC MC145407FR1			1	1				E
IC2	C0-11856001	IC LT1381CS#TRPBF	R		1	1				E
	C0-04830001	IC HIN202CBN-T								
IC3	C0-08554001	IC TC74VHC04F(EL F)	R		1	1				E
IC4	CAJ-0442001	IC SLA411T EC-M227			1	1				E
IC5	C0-10340000	IC STK6713AMK4-E	R		1	1				E
IC6	C0-08633001	IC TC7W32F(TE12L F)	R		1	1				E
IC7	C0-02342000	CPU HD6417708SF60			1	1				E
IC8	CAD-0149002	EEPROM ST93C46AB1			1	1				E
	C0-04552000	EEPROM M93C46-BN6								
	C0-12151000	EEPROM M93C46-WBN6P	R							
	C0-13390000	EEPROM AT93C46-10PU-1.8								
	E0-00140000	IC Socket 2-641260-3			1	1				
	E0-00151000	IC Socket 390261-2								
IC9	C0-07729001	IC LM1085ISX-3.3/NOPB			1	1				E
IC10	FMBC0090601	B-850 SOFT2 BK			1	1				
IC11	C0-06595000	IC MT48LC2M32B2TG-6 Y94W			1	1				E
	C0-06110000	IC HY57V643220CT-55								
	C0-04788000	IC K4S643232C-TC80								
	C0-05383000	IC TC59S6432CFT-80								
IC12	C0-12289000	IC S1L40783F10B200 EC-M228	R		1	1				E
IC13,16,20	C0-01285001	IC TC74LCX244FT (EL)	R		3	3				E
IC14	C0-09191000	IC TA8429HQ	R		1	1				E
IC15	FMBC0090501	B-850 SOFT1 BK			1	1				
IC19	C0-07398001	IC UPC393G2-T1-A	R		1	1				E
IC100,106,116	C0-08552001	IC TC74VHC00F(EL F)	R		3	3				E
IC101	C0-08556001	IC TC74VHC10F(EL F)	R		1	1				E
IC102	C0-11290001	IC SN7406NSR	R		1	1				E
IC103	C0-11584001	IC SN74LS245NSR	R		1	1				E
IC104	C0-11544001	IC SN74LS14NSR	R		1	1				E
IC105	C0-11581001	IC SN74LS244NSR	R		1	1				E
IC107	C0-08578001	IC TC74VHC74F(EL F)	R		1	1				E
IC109	C0-07406001	IC UPC844G2-T1-A	R		1	1				E
IC110	C0-05264001	IC M62354FP 70ND			1	1				E
IC111,112,114, 115	C0-08543001	IC TC74LCX245F(EL F)	R		4	4				E

A: B-852-TS12-QQ B: B-852-TS12-QP

50. CPU PC BOARD ASS'Y 2

EO8-33009A  
B-850 SERIES MAR., 2006

Ref. No.	Part No.	Description	RoHS	Remarks	A	B	C	D	E	Recommended Parts
IC113	C0-09749001	IC BA10324AF-E2	R		1	1				E
IC117	C0-00928000	IC TC35095AF			1	1				E
	C0-11914000	Diode ERA82-004	R	Soldered between Pin 1 and Pin 20 of IC117.	1	1				
IC118	C0-07396001	IC UPC358G2-T1-A	R		1	1				E
IC119	C0-08572001	IC TC74VHC32F(EL F)	R		1	1				E
IC120-122	C0-08542001	IC TC74LCX244F(EL F)	R		3	3				E
IC401	C0-08582001	IC TC74VHCT244AF(EL F)	R		1	1				E
IC502	C0-02951001	IC TL5001CPSR			1	1				E
IC503	C0-08643001	IC TC7WH32FU(TE12L F)	R		1	1				E
		<b>&lt;XISTOR.&gt;</b>								
Q1-4	C0-07337000	2SJ495-AZ	R		4	4				
Q5	C0-07883000	2SD1802S/T-E			1	1				
Q6	C0-10850000	2SD1838	R		1	1				
SMW-3x8*	X0110308136	Double Sems Screw M-3x8								
	X0-00072000	Double Sems Screw M-3x8								
Q7-9	C0-07352001	2SC1621-T1B-A	R		3	3				
Q11	C0-10697000	2SK1059-AZ	R		1	1				
Q100,101,103,104	C0-07391001	FA1A4M-T1B-A	R		4	4				
Q102	C0-08744001	2SK2615(TE12L F)	R		1	1				
Q501	C0-10854000	2SJ263	R		1	1				
SMW-3x8*	X0110308136	Double Sems Screw M-3x8								
	X0-00072000	Double Sems Screw M-3x8								
TA1-3	C0-00683001	Transistor Array RN4602 (TE85R)			3	3				
D1,2,4,5,501	C0-09544001	Diode AM01ZV1	R		5	5				
D102	C0-00471001	Chip Diode 1SS187 (TE85R)			1	1				
D502	C0-10453000	Diode D4L20U-7000	R		1	1				
		<b>&lt;Chip RSTR.&gt;</b>								
R4-6,10-15,17,22,113-115,144,149,154-156,159,163,	D0-19432001	MCR03EZJH680 68Ω			77	77				

50. CPU PC BOARD ASS'Y 3

EO8-33009A  
B-850 SERIES MAR., 2006

Ref. No.	Part No.	Description	RoHS	Remarks	A	B	C	D	E	Recommended Parts
165-167,169,										
171-174,176,										
182-184,187,										
191,193,194,										
197,200,201,										
203,205-208,										
210,213-216,										
218,219,224-										
228,230,232,										
235,239,240,										
242,243,253,										
258,260,263,										
270,272,280,										
288,292,335,										
370,371,524										
R7,128	D0-19597001	MCR03EZPFX4701 4.7KΩ	R		2	2				
R140,147,148,	D0-19453001	MCR03EZPFX1002 10KΩ	R		8	8				
164,211,220,										
221,501										
R8	D0-19579001	MCR03EZPFX3901 3.9KΩ	R		1	1				
R9,20,21,26-	D0-19327001	MCR03EZHZJ103 10KΩ			50	50				
28,106,110,										
132-134,137,										
157,158,162,										
168,195,199,										
202,212,236,										
237,247,257,										
273,275,277,										
279,283,286,										
297,302,306,										
308,310,312,										
315,317,327,										
329,334,339,										
347-349,352,										
362,363,525										
R16,18,19,23,	D0-19325001	MCR03EZHZJ101 100Ω			47	47				
24,103,104,										
138,139,143,										
150-153,										
175,178-181,										

A: B-852-TS12-QQ B: B-852-TS12-QP

50. CPU PC BOARD ASS'Y 4

EO8-33009A  
B-850 SERIES MAR., 2006

Ref. No.	Part No.	Description	RoHS	Remarks	A	B	C	D	E	Recommended Parts
190,231, 259,262,267- 269,271,295, 301,307,311, 316,328,332, 333,336,364, 384-390,531- 533										
R25	D0-19388001	MCR03EZHZJ330 33Ω			1	1				
R101,107, 305,356,357, 369	D0-19898001	MCR10EZHZJ000 0Ω	R		6	6				
R102,313,321, 331,350	D0-19326001	MCR03EZHZJ102 1KΩ			5	5				
R111	D0-19443001	MCR03EZHZJ822 8.2KΩ			1	1				
R112,118,126, 145,276,284	D0-19324001	MCR03EZHZJ100 10Ω			6	6				
R117,119,121, 122,527-530	D0-19328001	MCR03EZHZJ104 100KΩ			8	8				
R123,141,185, 256,296,343, 372,374	D0-19553001	MCR03EZHZJ000 0Ω			8	8				
R127	D0-19566001	MCR03EZPFX3302 33KΩ	R		1	1				
R130	D0-19900001	MCR10EZHZJ101 100Ω	R		1	1				
R142	D0-20331001	MCR50JZHZJ332 3.3KΩ	R		1	1				
R161,189,198, 241,246,248, 249,251,252, 254	D0-19411001	MCR03EZHZJ473 47KΩ			10	10				
R229	D0-19367001	MCR03EZHZJ221 220Ω			1	1				
R233,250	D0-19459001	MCR03EZPFX1102 11KΩ	R		2	2				
R234,255,285	D0-19483001	MCR03EZPFX1502 15KΩ	R		3	3				
	DAB-103MK15	Chip CAP. GRM39B103K50PT 0.01mF								
R238,264,265	D0-20306001	MCR50JZHZJ151 150Ω	R		3	3				
R261	D0-19517001	MCR03EZPFX2202 22KΩ	R		1	1				
R266	D0-19489001	MCR03EZPFX1602 16KΩ	R		1	1				
R282	D0-19578001	MCR03EZPFX3900 390Ω	R		1	1				
R290	D0-19640001	MCR03EZPFX6802 68KΩ	R		1	1				
R298,340,341	D0-19410001	MCR03EZHZJ472 4.7KΩ			3	3				

A: B-852-TS12-QQ B: B-852-TS12-QP

50. CPU PC BOARD ASS'Y 5

EO8-33009A  
B-850 SERIES MAR., 2006

Ref. No.	Part No.	Description	RoHS	Remarks	A	B	C	D	E	Recommended Parts
R319,322	D0-19465001	MCR03EZPFX1202 12KΩ	R		2	2				
R320	D0-19655001	MCR03EZPFX8200 820Ω	R		1	1				
R325,326	D0-20317001	MCR50JZHJ221 220Ω	R		2	2				
R338	D0-19434001	MCR03EZHJ682 6.8KΩ			1	1				
R344	D0-19340001	MCR03EZHJ124 120KΩ			1	1				
R354	D0-19387001	MCR03EZHJ304 300KΩ			1	1				
R365-368	D0-20198001	MCR25JZHJ221 220Ω	R		4	4				
R376,378	D0-19580001	MCR03EZPFX3902 39KΩ	R		2	2				
R377	D0-19657001	MCR03EZPFX8202 82KΩ	R		1	1				
R379-382	D0-19448001	MCR03EZHJ912 9.1KΩ			4	4				
R502	D0-19619001	MCR03EZPFX5601 5.6KΩ	R		1	1				
R510,512-514, 519	D0-19454001	MCR03EZPFX1003 100KΩ	R		5	5				
R511,515	D0-19370001	MCR03EZHJ224 220KΩ			2	2				
R516	D0-19368001	MCR03EZHJ222 2.2KΩ			1	1				
R517	D0-19339001	MCR03EZHJ123 12KΩ			1	1				
R518	D0-19392001	MCR03EZHJ334 330KΩ			1	1				
R520	D0-20186001	MCR25JZHJ152 1.5KΩ	R		1	1				
R521	D0-20199001	MCR25JZHJ222 2.2KΩ	R		1	1				
R523,536	D0-19670001	MCR100JZHF1500 150Ω	R		1	1				
R534,535	D0-20349001	MCR50JZHJ680 68Ω	R		2	2				
R831	D0-22853000	Thermistor PTFM04BC222Q2N34B0	R		1	1				
SMW-3x6	X0110306137	Double Sems Screw M-3x6								
	X0-00056000	Double Sems Screw M-3x6								
		<RSTR. Array>								
RA1,2,401,402	D0-20263001	MNR14E0ABJ101 100Ω	R		4	4				
RA3,5,7,10, 12,13,16,19, 22,25,26	D0-23073001	RNA4A8E103JT 10KΩ	R		10	10				
RA4,6	D0-23072001	RNA4A8E102JT 1KΩ	R		2	2				
RA8,9,11	D0-23077001	RNA4A8E473JT 47KΩ	R		3	3				
RA14,15,17,18, 20,21,23,24, 100-107	D0-20268001	MNR14E0ABJ680 68Ω	R		16	16				
RA25	D0-23074001	RNA4A8E104JT 100KΩ	R		1	1				
		<Chip CAP.>								
C1,2,7,8	D0-18395001	UWX1E100MCR1GB 10μF			4	4				
C4-6,9-11,13,	D0-04100001	GRM188B11H103KA01D 0.01μF	R		82	82				

A: B-852-TS12-QQ B: B-852-TS12-QP

50. CPU PC BOARD ASS'Y 6

EO8-33009A  
B-850 SERIES MAR., 2006

Ref. No.	Part No.	Description	RoHS	Remarks	A	B	C	D	E	Recommended Parts
15-20,23,24, 27-29,31,32, 117-119,122, 127-129,131, 132,134,139- 142,145-149, 152-155,157- 160,162-168, 170,172-176, 178,182,183, 186-189,338, 509-518,523, 525,527										
C14	D0-18388001	UWX1A221MCL1GB 220 $\mu$ F	R		1	1				
C25	D0-18391001	UWX1C100MCL1GB 10 $\mu$ F	R		1	1				
C30,33,34,120, 121,123-126, 143,169,171, 179,180,185, 503,505	D0-04098001	GRM188F11E104ZA01D 0.1 $\mu$ F	R		17	17				
C100-116,156	D0-04102001	GRM1882C1H101JA01D 100pF	R		18	18				
C130,133,138, 502	D0-04093001	GRM1882C1H220JZ01D	R		4	4				
C135-137,144	D0-07518001	GRM188B11H471KA01D 470pF	R		4	4				
C181	D0-07520001	GRM188B11H561KA01D 560pF	R		1	1				
C190	D0-07496001	GRM1882C1H470JZ01D 47pF	R		1	1				
C508	DAC-334MK01	DTDA1H334K 0.33 $\mu$ F			1	1				
		<b>&lt;Electrolytic CAP.&gt;</b>								
C12, 22	D0-16758001	TC04RKMf10VB470MF50E0 470 $\mu$ F	R		2	2				
C35	D0-16762001	TC04RKMf35VB100MF50E0 100 $\mu$ F	R		1	1				
C507	D0-18288001	UPW1V471MPH1TD 470 $\mu$ F	R		1	1				
C526	D0-16750000	KMF35VB470ME1 470 $\mu$ F	R		1	1				
		<b>&lt;Film CAP.&gt;</b>								
C36	D0-21554000	ECQV1H224JL 22 $\mu$ F	R		1	1				
		<b>&lt;CONN.&gt;</b>								
CN1	E0-08181000	57RE-40360-730B(D29A)-FA			1	1				
CN2	E0-08153000	17LE-13090-27(D4CK)-FA	R		1	1				

A: B-852-TS12-QQ B: B-852-TS12-QP



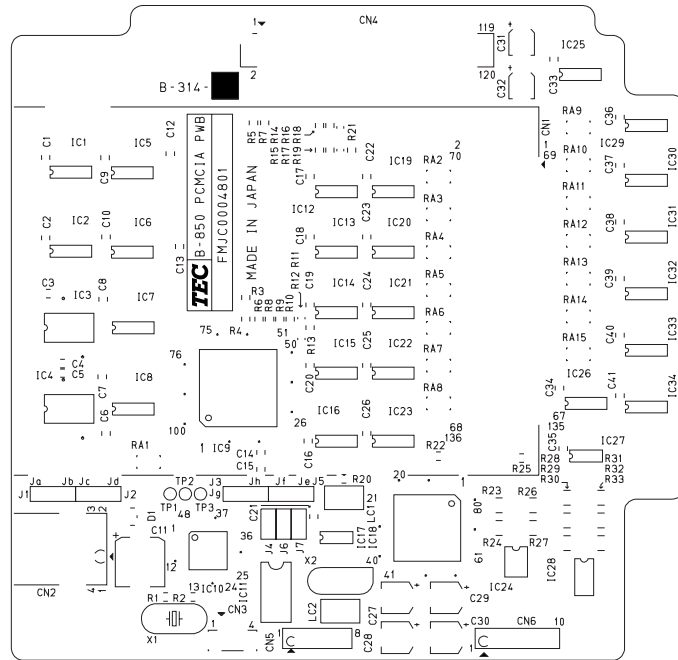
50. CPU PC BOARD ASS'Y 7

EO8-33009A  
B-850 SERIES MAR., 2006

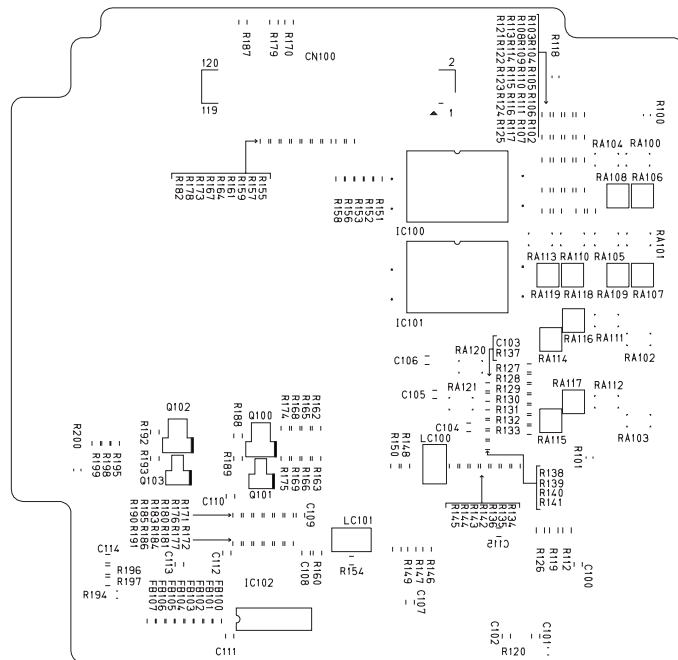
Ref. No.	Part No.	Description	RoHS	Remarks	A	B	C	D	E	Recommended Parts
CN3	E0-01300000	TCS7588-01-201	R		1	1				
CN4	E0-01446000	DF11-24DP-2DSA			1	1				
CN5	E0-01442000	DF11-16DP-2DSA			1	1				
CN7	E0-08117001	FX8C-120P-SV6 (92)	R		1	1				
CN9	E0-00645000	5267-02A-X	R		1	1				
CN10	E0-01443000	DF11-18DP-2DSA			1	1				
CN11	E0-00623000	53014-1110	R		1	1				
CN12	E0-00614000	53014-0210	R		1	1				
CN13	E0-00620000	53014-0810	R		1	1				
CN14	E0-00739000	53047-0910	R		1	1				
CN15	E0-00741000	53047-1110	R		1	1				
CN16	E0-00742000	53047-1210	R		1	1				
CN501	E0-00856000	5566-10A	R		1	1				
F3,4,501	E0-03832001	Fuse 0451 002MR			3	3				
F7	E0-03833001	Fuse 0451 003MR			1	1				
F502	E0-07272001	Fuse SMD100F-2	R		1	1				
FB1,2,101-110,501	D0-04444001	Noise Filter BLM18AG121SN1D	R		13	13				
FB3	D0-04471001	Noise Filter BLM41AF800SN1L	R		1	1				
J1	E0-09965000	Short Pin 00 9067 033 000 801+			1	1				
	E0-09966000	Jumper 00 9067 020 000 805+			1	1				
L501	D0-24215000	Coil SK-17P-050-230	R		1	1				
LD100	C0-08128002	Chip Diode 1SS226(TE85L F)	R		1	1				
NF1-5	D0-07444001	Noise Filter STC104B	R		5	5				
X1	D0-04631000	Crystal AT-49 7.3728MHZ			1	1				
X3	D0-24101001	Crystal SG-8002JC-20M-PHCL	R		1	1				
	FMEC0073602	Heat Sink	R		1	1				
SMW-3x8	X0-00072000	Double Sems Screw M-3x8		Small washer type	2	2				
SMW-3x6	X0-00056000	Double Sems Screw M-3x6			1	1				
SMW-3x8	X0-00078000	Double Sems Screw M-3x8			2	2				

A: B-852-TS12-QQ B: B-852-TS12-QP

PCMCIA PC BOARD ASS'Y



<Parts Side>



<Solder Side>

51. PCMCIA PC BOARD ASS'Y 1

EO8-33009A  
B-850 SERIES MAR., 2006

Ref. No.	Part No.	Description	RoHS	Remarks	A	B	C	D	E	Recommended Parts
	-----	PCMCIA PC Board Ass'y (SERV No. B-314-01)		(B-7708-PC-QM)	1					E
IC1,2,5,6	CAM-024426A	IC TD74ABT244AFS			4					E
IC3,4	CAM-424528A	IC TC74LVX4245FS			2					E
IC7,8	CAM-037330A	IC TC74LCX373FT			2					E
IC9	CAB-0416001	IC EPF8282ATC100-4			1					E
IC12,22,31	CAM-024431A	IC TC74VHCT244AFT			3					E
IC13,33	CAM-054129A	IC TC74VHC541FT			2					E
IC14,15,21,29, 30,32	CAM-024429A	IC TC74VHC244FT			6					E
IC16,26	CAM-027329A	IC TC74VHC273FT			2					E
IC17	CAM-000429A	IC TC74VHC04FT			1					
IC19,20,25,34	CAM-024529A	IC TC74VHC245FT			4					E
IC23	CAM-024430A	IC TC74LCX244FT			1					E
IC27	CAM-003229A	IC TC74VHC32FT			1					
		<b>&lt;XISTOR.&gt;</b>								
Q100,102	CBA-0087001	2SB1115			2					
Q101,103	CBC-0017001	FA1A4M-T1B			2					
		<b>&lt;Chip RSTR.&gt;</b>								
R1,22,25	DBK-102JA5A	MCR03EZJ102 1KΩ			3					
R100,101,118, 120,194,200	DBK-R00JA4A	MCR10EZJ000 0Ω			6					
R102,103,108, 113,121,125, 162,165,166, 168,169,174, 175	DBK-680JA5A	MCR03EZJ680 68Ω			13					
R104,107,109, 114,117,122, 127-145,148, 151-153,156, 158,185,188, 192,195,198 199	DBK-103JA5A	MCR03EZJ103 10KΩ			37					
R105,106,110, 111,115,116,	DBK-104JA5A	MCR03EZJ104 100KΩ			22					

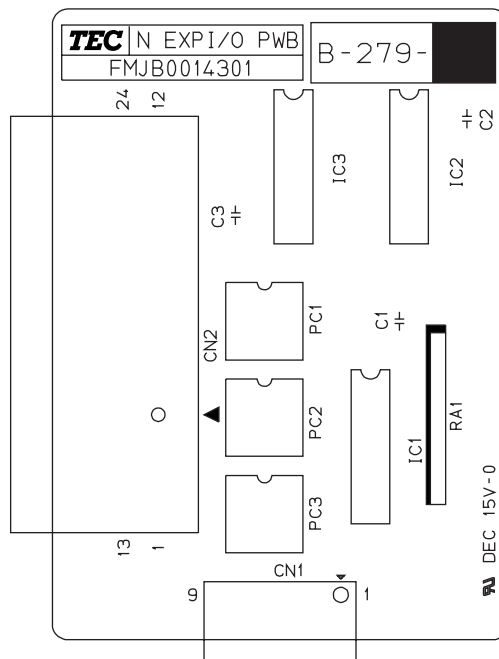
A: B-7708-PC-QM

51. PCMCIA PC BOARD ASS'Y 2

EO8-33009A  
B-850 SERIES MAR., 2006

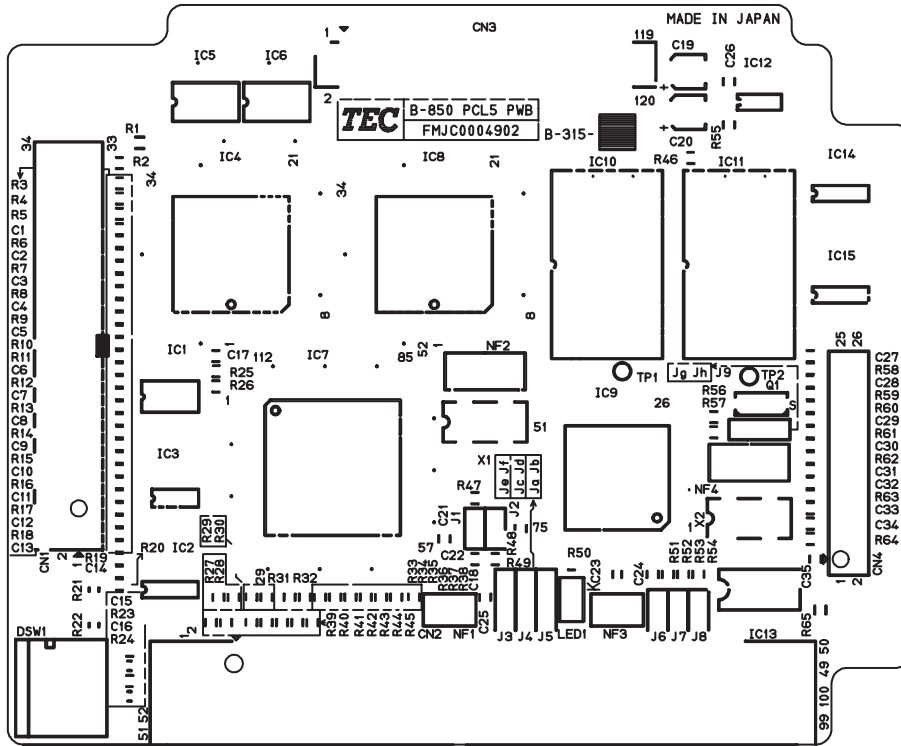
Ref. No.	Part No.	Description	RoHS	Remarks	A	B	C	D	E	Recommended Parts
123,124,146, 147,115,157, 159,161,164, 167,170,173, 178,179,182 187										
R149,150	DBK-222JA5A	MCR03EZHJ222 2.2KΩ			2					
R160	DBK-101JA5A	MCR03EZHJ101 100Ω			1					
R189,193	DBK-332JA5A	MCR03EZHJ332 3.3KΩ			2					
		<b>&lt;RSTR. Array&gt;</b>								
RA1-15,100-105, 110-113,120, 121	DBP-0294001	RNA4A8E103JT 10KΩ			27					
RA106-109,114- 119	DBP-0015053	MNR14E0ABJ680 68Ω			10					
		<b>&lt;Chip CAP.&gt;</b>								
C1-10,12-26,33- 41,103-107, 111,113-115	DAB-103MK15	GRM39B103K50PT 0.01μF			43					
C31,32	DAA-100FM04	UWX1C100MCR1GB 10μF			2					
CN1	EAA-2865001 EAA-2864002	CONN. IC8C-136RD-0.635SFA PC Card Slot			1 1					
SMW-2x16	X0110216136	IC8SC-136PF-SF-EJR Double Sems Screw M-2x16		Small washer type	4					
CN100	EAA-2857002	CONN. FX8C-120S-SV5			1					
LC100	DDA-0208001	Noise Filter NFM4516P13C204FB1			1					

EXPANSION I/O PC BOARD ASS'Y

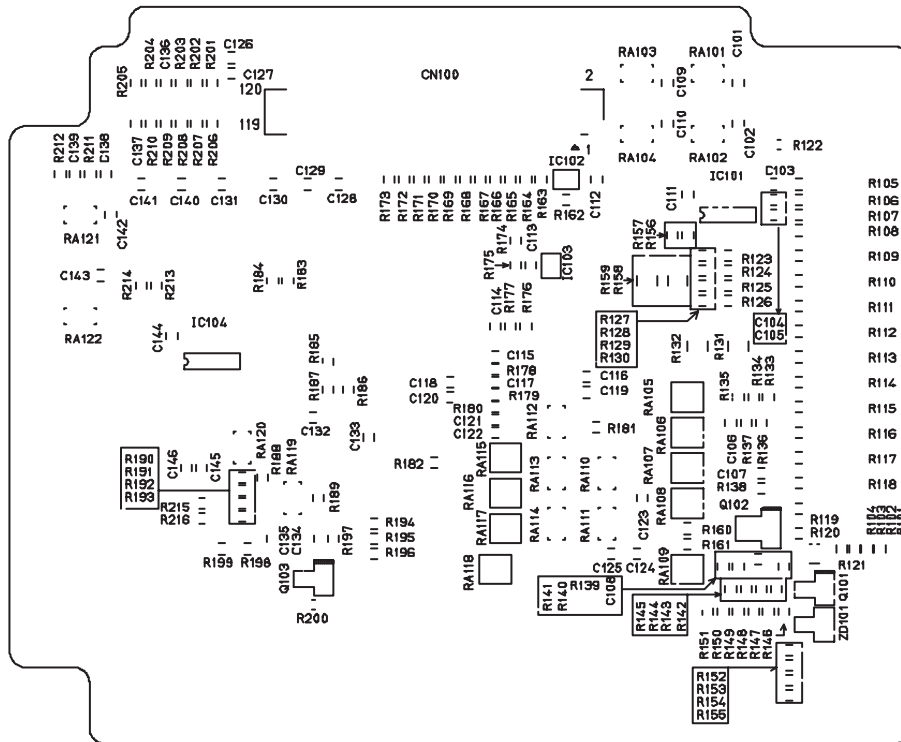




PCL5 PC BOARD ASS'Y



<Parts Side>



<Solder Side>

53. PCL5 PC BOARD ASS'Y 1

EO8-33009A  
B-850 SERIES MAR., 2006

Ref. No.	Part No.	Description	RoHS	Remarks	A	B	C	D	E	Recommended Parts
	-----	PCL5 PC Board (Service No. B-315-01)		(B-7708-PCL-QM)						
IC1	CAM-128413H	CMOS IC 74ACT1284MSA			1					E
IC2,101	CAM-024513F	CMOS IC SN74ACT245PW			2					E
IC3	CAM-015729A	CMOS IC TC74VHC157FT			1					E
IC4	CAC-0350011	PLC52P IC IDT7130SA55J			1					E
IC5,6	CAM-424528A	SSOP24P IC TC74LVX4245FS			2					E
IC7	CAA-0398001	QFP112P IC HD6417014F28			1					E
IC8	CAC-0350010	PLC52P IC IDT7140SA55J			1					E
IC9	CAB-0416001	QFP100P IC EPF8282ATC100-4			1					E
IC10	FMBC0093001	B-850 PCL5 SOFT BK			1					
IC12	CAM-0003008	CMOS IC SN74LV125APW			1					E
IC14,15,104	CAM-024431A	CMOS IC TC74VHCT244AFT			3					E
IC103	CAQ-0024003	CMOS IC TC7S04FU			1					E
		<b>&lt;Chip XISTOR.&gt;</b>								
Q1	CBQ-0124001	2SJ418			1					
Q101	CBA-0088001	2SC1621			1					
Q102	CBA-0087001	2SB1115			1					
Q103	CBC-0017001	FA1A4M-T1B			1					
ZD101	CBG-0109001	Z. Diode 02CZ2.7Y TE85R			1					
		<b>&lt;Chip RSTR.&gt;</b>								
R1,65	DBK-R00JA3A	MCR18EZHZJ000 0Ω			2					
R2,151,157,174, 199,201,205, 206,209	DBK-R00JA5A	MCR03EZHZJ000 0Ω			9					
R3-5,19	DBK-100JA5A	MCR03EZHZJ100 10Ω			4					
R6-10	DBK-390JA5A	MCR03EZHZJ390 39Ω			5					
R11-18,25,37, 38,63,177,182, 195,196	DBK-101JA5A	MCR03EZHZJ101 100Ω			16					
R20,51,53,54, 56,57,105-108, 127-130,133-	DBK-102JA5A	MCR03EZHZJ102 1KΩ			19					

A: B-7708-PCL-QM



53. PCL5 PC BOARD ASS'Y 2

EO8-33009A  
B-850 SERIES MAR., 2006

Ref. No.	Part No.	Description	RoHS	Remarks	A	B	C	D	E	Recommended Parts
137										
R21,22	DBK-101JA4A	MCR10EZHH101 100Ω			2					
R23,24	DBK-681FA4A	MCR10EZHF6800 680Ω			2					
R27,28,35,39-42,47,49,50,113-120,138,141-150,180,181,185,188,190-193,216	DBK-103JA5A	MCR03EZHH103 10KΩ			38					
R29-34,36,43-45,48,52,160,161,189,197	DBK-470JA5A	MCR03EZHH470 47Ω			16					
R58-62,64,123-126,203,210-212	DBK-330JA5A	MCR03EZHH330 33Ω			14					
R109-112	DBK-473JA5A	MCR03EZHH473 47KΩ			4					
R101,103	DBK-392FB5A	MCR03EZPF3901 3.9KΩ			2					
R102,104	DBK-222FB5A	MCR03EZPF2201 2.2KΩ			2					
R121	DBK-221JA2A	MCR25JZHJ221 220Ω			1					
R122	DBK-R00JA4A	MCR10EZHH000 0Ω			1					
R131,132,158	DBK-271JA2A	MCR25JZHJ271 270Ω			4					
159										
R139,186	DBK-472JA5A	MCR03EZHH472 4.7KΩ			2					
R163,187	DBK-680JA5A	MCR03EZHH680 68Ω			2					
R164-173	DBK-104JA5A	MCR03EZHH104 100KΩ			10					
R178	DBK-302JA5A	MCR03EZHH302 3KΩ			1					
R179	DBK-201JA5A	MCR03EZHH201 200Ω			1					
R200	DBK-361JA4A	MCR10EZHH361 360Ω			1					
R215	DDG-0115017	BLM11B331SD			1					
		<RSTR. Array>								
RA101,103,110-112,119-122	DBP-0294001	RNA4A8E103JT 10KΩ			9					
RA102,104,113,114	DBP-0308001	CND2A10YTE1.2KΩJ			4					

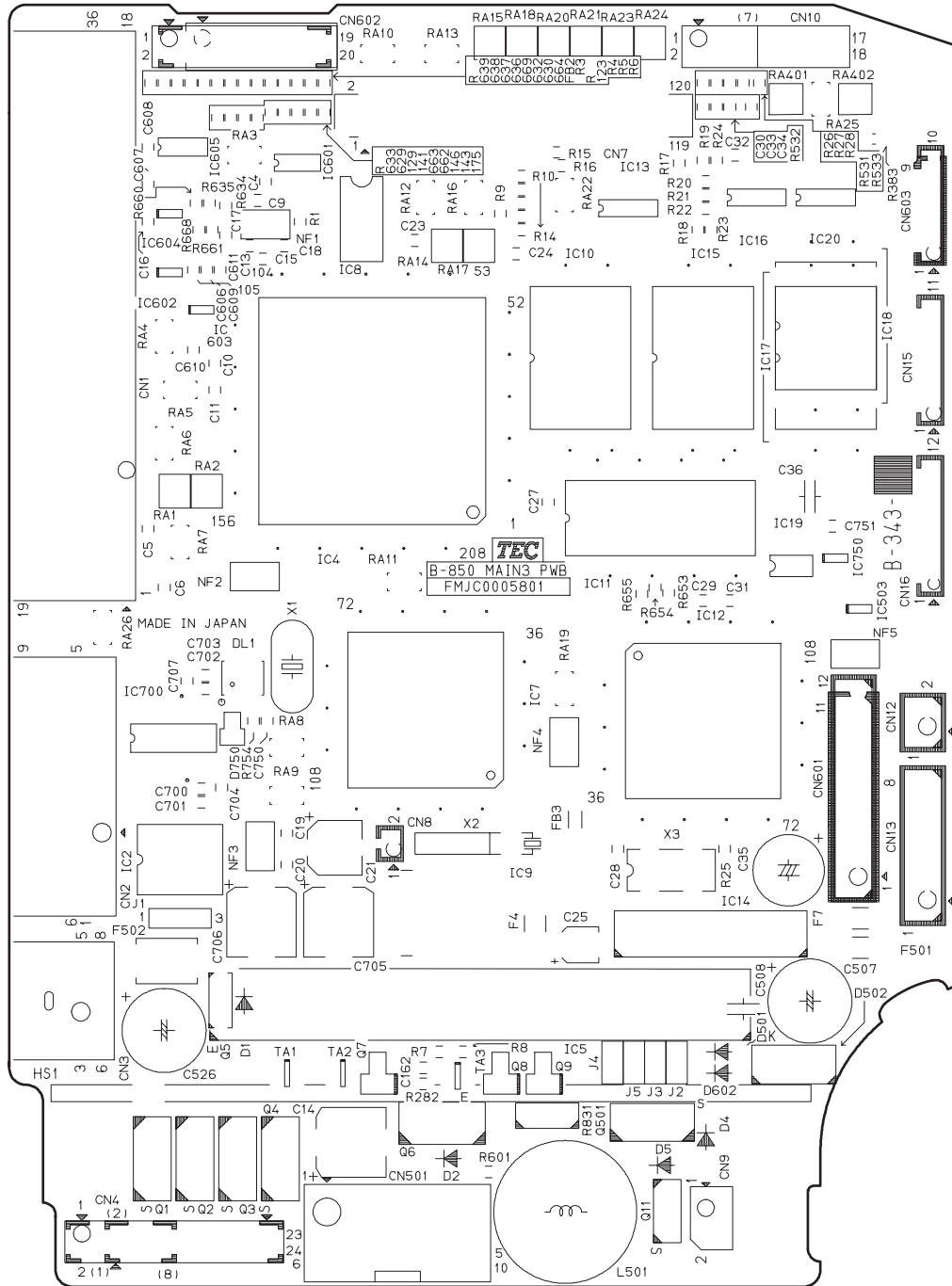
53. PCL5 PC BOARD ASS'Y 3

EO8-33009A  
B-850 SERIES MAR., 2006

Ref. No.	Part No.	Description	RoHS	Remarks	A	B	C	D	E	Recommended Parts
RA105-109, 115-118	DBP-0015038	MNR14E0ABJ470 47Ω			9					
		<Chip CAP.>								
C1,32,33,118, 146	DAB-102MK23	GRM39B102K50PT 1000pF			5					
C2-14,103-105	DAB-221MJ15	GRM39CH221J50PT 220pF			16					
C15-17,21,22, 26,101,102, 106-114,116, 117,119-129, 131,140,142- 145	DAB-104HZ15	GRM39F104Z25PT 0.1μF			36					
C18,23-25, 132-135	DAB-103MK15	GRM39B103K50PT 0.01μF			8					
C19,20	DAA-100FM04	UWX1C100MCR1GB 10μF			2					
C27-31,34	DAB-101MJ21	GRM39CH101J50PT 100pF			6					
C35,130,136- 139,141	DAB-220MJ16	GRM39CH220J50PT 22pF			7					
C115	DAB-471MK23	GRM39B471K50PT 470pF			1					
		<CONN.>								
CN1	EAA-0236001	HU5-340PNA-S53T			1					
CN2	EAA-3139002	DHD-PA100-R13INO			1					
CN4	EAA-2635008	B26B-PHDSS			1					
CN100	EAA-2857002	FX8C-120S-SV5			1					
DSW1	EBC-0007002	DIP Switch KSP04			1					
J1,2,6-8	EAA-0015002	CONN. IMSA-9202B-1-02-T			5					
J3-5,9	EAA-0015003	CONN. IMSA-9202B-1-03-T			4					
LED1	CBH-0051001	LED SLP-355B-51-TEC			1					
NF1,3	DDA-0208001	Noise Filter NFM4516P13C204FB1			2					D
NF2,4	DDG-0067001	Noise Filter NFM61R30T472T1			2					D



54 CPU PC BOARD ASS'Y (MAIN 3) 1/2



<Parts Side>



54. CPU PC BOARD ASS'Y (MAIN3) 1

EO8-33009A  
B-850 SERIES MAR., 2006

Ref. No.	Part No.	Description	RoHS	Remarks	A	B	C	D	E	Recommended Parts
	FMBD0046404	CPU PC Board Ass'y (MAIN 3) (Service No. B-343-04)			1	1	0			E
	FMBD0046410	CPU PC Board Ass'y (MAIN 3) (Service No. B-343-04)			0	0	1			E
IC2	C0-04830001	HIN202CBN-T			1	1	1			E
IC4	CAJ-0442001	QFP208P SLA411T EC-M227			1	1	1			E
IC5	C0-10340000	STK6713AMK4-E	R		1	1	1			E
IC7	C0-02342000	HD6417708SF60			1	1	1			E
IC8	C0-04552000	ROM M93C46-BN6			1	1	1			E
	C0-12151000	ROM M93C46-WBN6P	R							
	C0-13390000	ROM AT93C46-10PU-1.8								
(IC8)	E0-00151000	IC Socket 390261-2			1	1	1			
IC9	C0-07729001	LM1085ISX-3.3/NOPB			1	1	1			E
IC10	FMBC0090601	B-850 SOFT2 BK			1	1	1			
IC11	C0-06595000	MT48LC2M32B2TG-6 Y94W			1	1	1			E
	C0-06110000	HY57V643220CT-55								
	C0-06753000	HY57V643220CT-7								
	C0-05383000	TC59S6432CFT-80								
	C0-04788000	K4S643232C-TC80								
	C0-12288000	HY57V643220DTP-7	R							
IC12	C0-12289000	S1L40783F10B200 EC-M228	R		1	1	1			E
IC13,16,20	C0-01285001	TC74LCX244FT (EL)	R		3	3	3			E
IC14	C0-09191000	TA8429HQ	R		1	1	1			E
IC15	FMBC0090501	B-850 SOFT1 BK			1	1	1			
IC19	C0-07398001	UPC393G2-T1-A	R		1	1	1			E
IC100,106,116	C0-08552001	TC74VHC00F (EL F)	R		3	3	3			E
IC101	C0-08556001	CMOS IC TC74VHC10F (EL F)	R		1	1	1			E
IC102	C0-11290001	SN7406NSR	R		1	1	1			E
IC103	C0-11584001	SN74LS245NSR	R		1	1	1			E
IC104	C0-11544001	SN74LS14NSR	R		1	1	1			E
IC105	C0-11581001	SN74LS244NSR	R		1	1	1			E
IC107	C0-08578001	TC74VHC74F (EL F)	R		1	1	1			E
IC109	C0-07406001	UPC844G2-T1-A	R		1	1	1			E
IC110	C0-05264001	M62354FP 70ND			1	1	1			E
IC111,112,114, 115	C0-08543001	TC74LCX245F (EL F)	R		4	4	4			E
IC113	C0-09749001	BA10324AF-E2	R		1	1	1			E
IC117	C0-00928000	TC35095AF			1	1	1			E
IC118	C0-07396001	UPC358G2-T1-A	R		1	1	1			E
IC119	C0-08572001	TC74VHC32F (EL F)	R		1	1	1			E

A: B-852-TS12-QQ B: B-852-TS12-QP C: B-852-TS12-CN

54. CPU PC BOARD ASS'Y (MAIN3) 2

EO8-33009A  
B-850 SERIES MAR., 2006

Ref. No.	Part No.	Description	RoHS	Remarks	A	B	C	D	E	Recommended Parts
IC120-122	C0-08542001	TC74LCX244F (EL F)	R		3	3	3			E
IC401	C0-08582001	TC74VHCT244AF (EL F)	R		1	1	1			E
IC502	C0-02951001	SOP8P TL5001CPSR			1	1	1			E
IC503	C0-08643001	TC7WH32FU (TE12L F)	R		1	1	1			E
IC601	C0-01302001	TC74VHC04FT (EL)	R		1	1	1			E
IC602,604	C0-08634001	CMOS IC TC7W32FU (TE12L F)	R		2	2	2			E
IC605	C0-01324001	TC74VHC165FT (EL)	R		1	1	1			E
IC700	C0-10659001	ADM211EARSZ-REEL	R		1	1	1			E
IC750	C0-08641001	CMOS IC TC7WH14FU (TE12L F)	R		1	1	1			E
		<b>&lt;XISTOR&gt;</b>								
Q1-4	C0-07337000	2SJ495-AZ	R		4	4	4			
Q5	C0-07883000	2SD1082S/T-E			1	1	1			
Q6	C0-10850000	2SD1838	R		1	1	1			
Q7-9	C0-07352001	2SC1621-T1B-A	R		3	3	3			
Q11	C0-10697000	2SK1059-AZ	R		1	1	1			
Q100,101,103, 104	C0-07391001	FA1A4M-T1B-A	R		4	4	4			
Q102	C0-08744001	2SK2615 (TE12L F)	R		1	1	1			
Q501	C0-10854000	2SJ263	R		1	1	1			
D1,2,4,5,501	C0-09544001	Diode AM01ZV1	R		5	5	5			
D102	C0-00471001	Chip Diode 1SS187 (TE85R)			1	1	1			
D502	C0-10453000	Diode D4L20U-7000	R		1	1	1			
D601	C0-08659001	Chip Diode 1SS377 (TE85L F)	R		1	1	1			
D750	C0-08658001	Diode 1SS372 (TE85L F)	R		1	1	1			
		<b>&lt;Chip RSTR.&gt;</b>								
R4-6,10-15, 17,22,113- 115,149,254- 1156,159,163, 165-167,169, 171-174,176, 182-184,187, 191,193,194, 197,200,201, 203,205-208, 210,213-216, 218,219,224-	D0-19432001	MCR03EZJH680 68 ohm	R		77	77	77			

A: B-852-TS12-QQ B: B-852-TS12-QP C: B-852-TS12-CN

54. CPU PC BOARD ASS'Y (MAIN3) 3

EO8-33009A  
B-850 SERIES MAR., 2006

Ref. No.	Part No.	Description	RoHS	Remarks	A	B	C	D	E	Recommended Parts
228,230,232, 235,239,240, 242,243,253, 258,260,263, 270,272,280, 288,292,335, 370,371,524, 754										
R7,140,147, 148,164,211, 220,211,501	D0-19453001	MCR03EZPFX1002 10k ohm	R		8	8	8			
R8	D0-19539001	MCR03EZPFX2701 2.7k ohm	R		1	1	1			
R9,20,21,26- 28,106,110, 132-134,137, 157,158,162, 168,195,199, 202,212,236, 237,247,257, 273,275,279, 283,286,297, 302,306,308, 312,317,327, 329,334,339, 347-349,352, 362,363,525, 526,619,627, 628,636-639, 665,669-674	D0-19327001	MCR03EZHJ103 10k ohm			61	61	61			
R16,18,19,23, 24,103,104, 138,139,143, 150-153,175, 178-181,190, 231,259,262, 267-269,271, 295,301,307, 311,316,328, 332,333,336, 364,384,387-	D0-19325001	MCR03EZHJ101 100 ohm			47	47	47			

A: B-852-TS12-QQ B: B-852-TS12-QP C: B-852-TS12-CN



54. CPU PC BOARD ASS'Y (MAIN3) 4

EO8-33009A  
B-850 SERIES MAR., 2006

Ref. No.	Part No.	Description	RoHS	Remarks	A	B	C	D	E	Recommended Parts
390,531-533, 750,751										
R25	D0-19388001	MCR03EZHZ330 33 ohm			1	1	1			
R101,107,305, 356,357,369, 383	D0-19898001	MCR10EZHZ000 0 ohm	R		7	7	7			
R102,313,321, 331,350	D0-19326001	MCR03EZHZ102 1k ohm			5	5	5			
R111	D0-19443001	MCR03EZHZ822 8.2k ohm	R		1	1	1			
R112,118,126, 145,284	D0-19324001	MCR03EZHZ100 10 ohm			5	5	5			
R117,119,121, 122,527-530	D0-19328001	MCR03EZHZ104 100k ohm			8	8	8			
R123,141,185, 256,296,343, 372,374,601, 608-611,613- 615,621,623, 625,629,630, 654,658,659, 663,667,668, 752,757	D0-19553001	MCR03EZHZ000 0 ohm			29	29	29			
R127	D0-19566001	MCR03EZPF3302 33k ohm	R		1	1	1			
R128	D0-19597001	MCR03EZPF4701 4.7k ohm	R		1	1	1			
R130	D0-19900001	MCR10EZHZ101 100 ohm	R		1	1	1			
R142	D0-20331001	MCR50JZHZ332 3.3k ohm	R		1	1	1			
R161,189,198, 241,246,248, 249,251,252, 254	D0-19411001	MCR03EZHZ473 47k ohm			10	10	10			
R229	D0-19367001	MCR03EZHZ221 220 ohm			1	1	1			
R233,250	D0-19459001	MCR03EZPF1102 11k ohm	R		2	2	2			
R234,255,285	D0-19483001	MCR03EZPF1502 15k ohm	R		3	3	3			
R238,264,265	D0-20306001	MCR50JZHZ151 150 ohm	R		3	3	3			
R261	D0-19517001	MCR03EZPF2202 22k ohm	R		1	1	1			
R266	D0-19489001	MCR03EZPF1602 16k ohm	R		1	1	1			
R282	D0-19578001	MCR03EZPF3900 390 ohm	R		1	1	1			
R290	D0-19640001	MCR03EZPF6802 68k ohm	R		1	1	1			
R298,340,341	D0-19410001	MCR03EZHZ472 4.7k ohm			3	3	3			

A: B-852-TS12-QQ B: B-852-TS12-QP C: B-852-TS12-CN

54. CPU PC BOARD ASS'Y (MAIN3) 5

EO8-33009A  
B-850 SERIES MAR., 2006

Ref. No.	Part No.	Description	RoHS	Remarks	A	B	C	D	E	Recommended Parts
R319,322	D0-19465001	MCR03EZPFX1202 12k ohm	R		2	2	2			
R320	D0-19655001	MCR03EZPFX8200 820 ohm	R		1	1	1			
R325,326	D0-20317001	MCR50JZHJ221 220 ohm	R		2	2	2			
R338	D0-19434001	MCR03EZHJ682 6.8k ohm			1	1	1			
R344	D0-19340001	MCR03EZHJ124 120k ohm			1	1	1			
R354	D0-19387001	MCR03EZHJ304 300k ohm			1	1	1			
R365-368	D0-20198001	MCR25JZHJ221 220 ohm	R		4	4	4			
R376,378	D0-19580001	MCR03EZPFX3902 39k ohm	R		2	2	2			
R377	D0-19657001	MCR03EZPFX8202 82k ohm	R		1	1	1			
R379-382	D0-19448001	MCR03EZHJ912 9.1k ohm			4	4	4			
R502	D0-19619001	MCR03EZPFX5601 5.6k ohm	R		1	1	1			
R510,512-514, 519	D0-19454001	MCR03EZPFX1003 100k ohm	R		5	5	5			
R511	D0-19370001	MCR03EZHJ224 220k ohm			1	1	1			
R516	D0-19368001	MCR03EZHJ222 2.2k ohm			1	1	1			
R517	D0-19339001	MCR03EZHJ123 12k ohm			1	1	1			
R518	D0-19392001	MCR03EZHJ334 330k ohm			1	1	1			
R520	D0-20186001	MCR25JZHJ152 1.5k ohm	R		1	1	1			
R521	D0-20199001	MCR25JZHJ222 2.2k ohm	R		1	1	1			
R523,536	D0-19670001	MCR100JZHF1500 150 ohm	R		2	2	2			
R534,535	D0-20349001	MCR50JZHJ680 68 ohm	R		2	2	2			
R831	D0-22853000	PTFM04BC222Q2N34B0	R		1	1	1			
		<RSTR. Array>								
RA1,2,401,402	D0-20263001	MNR14E0ABJ101 100 ohm x 4/D	R		4	4	4			
RA3,5,7,10, 12,13,16,19, 22,26	D0-23073001	RNA4A8E103JT 10k ohm x 8	R		10	10	10			
RA4,6	D0-23072001	RNA4A8E102JT 1k ohm x 8	R		2	2	2			
RA8,9,11	D0-23077001	RNA4A8E473JT 47k ohm x 8	R		3	3	3			
RA14,15,17, 18,20,21,23, 24,100-107	D0-20268001	MNR14E0ABJ680 68 ohm x 4/D	R		16	16	16			
RA25	D0-23074001	RNA4A8E104JT 100k ohm x 8	R		1	1	1			
		<Chip CAP.>								
C4-6,9-11,13, 15-20,23,24, 27-29,31,32, 117-119,122,	D0-04100001	GRM188B11H103KA01D 0.01μF	R		87	87	87			

A: B-852-TS12-QQ B: B-852-TS12-QP C: B-852-TS12-CN

54. CPU PC BOARD ASS'Y (MAIN3) 6

EO8-33009A  
B-850 SERIES MAR., 2006

Ref. No.	Part No.	Description	RoHS	Remarks	A	B	C	D	E	Recommended Parts
127-129,131, 132,134,139- 142,145-149, 152-155,157- 160,162-168, 170,172-176, 178,182,183, 186-189,338, 509,510,511- 518,523,525, 527,602,606- 608,751,503										
C14	D0-18388001	UWX1A221MCL1GB 220 $\mu$ F	R		1	1	1			
C25	D0-18391001	UWX1C100MCL1GB 10 $\mu$ F	R		1	1	1			
C30,33,34, 120,121,123- 126,143,169, 171,179,180, 185,505, 700-704,707	D0-04098001	GRM188F11E104ZA01D 0.1 $\mu$ F	R		22	22	22			
C100-116,156, 603	D0-04102001	GRM1882C1H101JA01D 100pF	R		19	19	19			
C130,133,138, 502	D0-04093001	GRM1882C1H220JZ01D 22pF	R		4	4	4			
C135-137,144	D0-07518001	GRM188B11H471KA01D 470pF	R		4	4	4			
C181	D0-07520001	GRM188B11H561KA01D 560pF	R		1	1	1			
C705,706	D0-16708001	MVY10VC470MH10E0 470 $\mu$ F	R		2	2	2			
		<b>&lt;Electrolytic CAP.&gt;</b>								
C35	D0-16762001	TC04RKMF35VB100MF50E0 100 $\mu$ F	R		1	1	1			
C507	D0-18288001	UPW1V471MPD1TD 470 $\mu$ F	R		1	1	1			
C526	D0-16750000	KMF35VB470ME1 470 $\mu$ F	R		1	1	1			
C36	D0-21554000	Film CAP. ECQV1H224JL 0.22 $\mu$ F	R		1	1	1			
C508	DAC-334MK01	Film CAP. DTDA1H334K 0.33 $\mu$ F			1	1	1			
		<b>&lt;CONN.&gt;</b>								
CN1	E0-08181000	57RE-40360-730B (D29A)-FA	R		1	1	1			
CN2	E0-08153000	17LE-13090-27 (D4CK)-FA	R		1	1	1			
CN3	E0-01300000	TCS7588-01-201	R		1	1	1			

A: B-852-TS12-QQ B: B-852-TS12-QP C: B-852-TS12-CN

54. CPU PC BOARD ASS'Y (MAIN3) 7

EO8-33009A  
B-850 SERIES MAR., 2006

Ref. No.	Part No.	Description	RoHS	Remarks	A	B	C	D	E	Recommended Parts
CN4	E0-01446000	DF11-24DP-2DSA			1	1	1			
CN7	E0-08117001	FX8C-120P-SV6 (92)	R		1	1	1			
CN9	E0-00645000	5267-02A-X	R		1	1	1			
CN10	E0-01443000	DF11-18DP-2DSA			1	1	1			
CN12	E0-00614000	53014-0210	R		1	1	1			
CN13	E0-00620000	53014-0810	R		1	1	1			
CN15	E0-00741000	53047-1110	R		1	1	1			
CN16	E0-00742000	53047-1210	R		1	1	1			
CN501	E0-00856000	5566-10A	R		1	1	1			
CN601	E0-00623000	53014-1110	R		1	1	1			
CN602	E0-01442000	DF11-16DP-2DSA			1	1	1			
CN603	E0-00739000	53047-0910	R		1	1	1			
DL1	D0-14439001	Delay Line LDH547N00KAB-700	R		1	1	1			
F3,4,501	E0-03832001	Fuse 0451 002MR			3	3	3			D
F7	E0-03833001	Fuse 0451 003MR			1	1	1			D
F502	E0-07272001	Fuse SMD100F-2	R		1	1	1			D
FB1,2,101-110,501	D0-04444001	Noise Filter BLM18AG121SN1D	R		13	13	13			D
FB3	D0-04471001	Noise Filter BLM41AF800SN1L	R		1	1	1			D
J1 (J1)	E0-09965000 E0-09966000	Short Pin 00 9067 033 000 801+ Jumper Socket 00 9067 020 000 805+			1	1	1			
L501	D0-24215000	Coil SK-17P-050-230	R		1	1	1			
LD100	C0-08128002	Chip Diode 1SS226 (TE85L F)	R		1	1	1			
NF1-5	D0-07444001	Noise Filter STC104B	R		5	5	5			D
TA1-3	C0-00683001	XISTOR Array RN4602 (TE85R)			3	3	3			
X1	D0-04631000	Crystal AT-49 7.3728MHZ			1	1	1			D
X3	D0-24101001	Crystal SG-8002JC-20M-PHCL	R		1	1	1			D
	FMEC0073602	PCB Heat Sink	R		1	1	1			
SMW-3x8	X0-00078000	Double Sems Screw M-3x8			2	2	2			

A: B-852-TS12-QQ B: B-852-TS12-QP C: B-852-TS12-CN

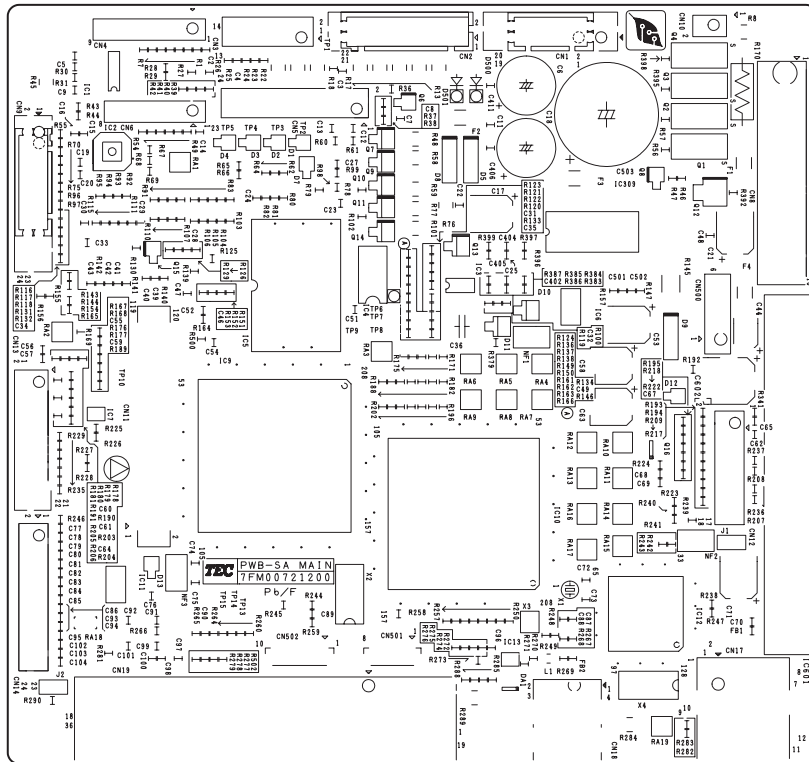
**54. CPU PC BOARD ASS'Y (MAIN3) 8**

EO8-33009A  
B-850 SERIES MAR., 2006

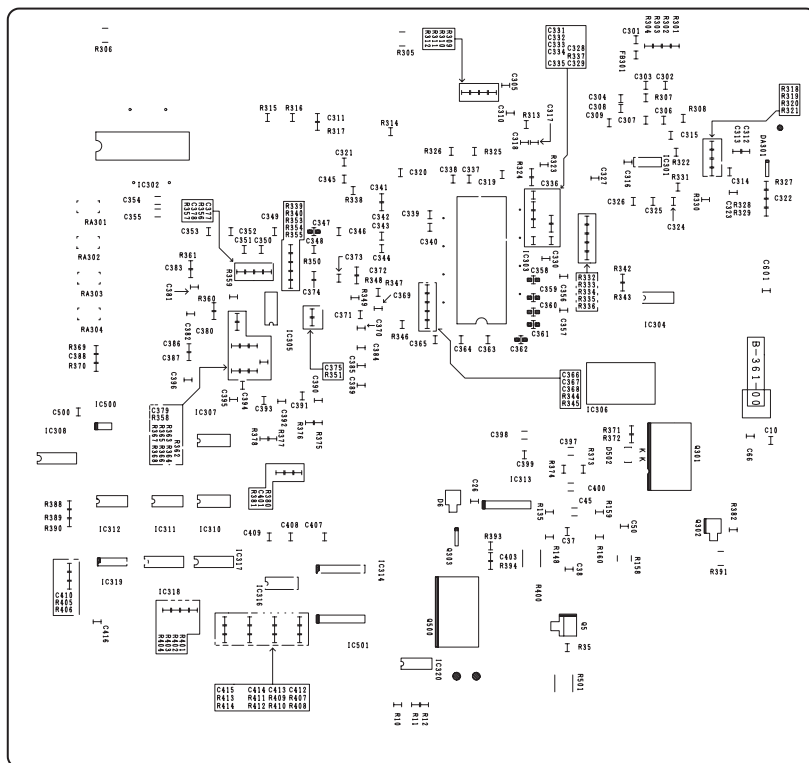
Ref. No.	Part No.	Description	RoHS	Remarks	A	B	C	D	E	Recommended Parts
SMW-3x8	X0-00072000	Double Sems Screw M-3x8		Small washer type	1	1	1			
SMW-3x6	X0-00056000	Double Sems Screw M-3x6			1	1	1			

A: B-852-TS12-QQ B: B-852-TS12-QP C: B-852-TS12-CN

MAIN PC BOARD ASS'Y



<Parts Side>



<Solder Side>

55. MAIN PC BOARD ASS'Y 1

EO8-33009A  
 B-850 SERIES MAR., 2006  
 (Revision Date: May 19, 2006)

Ref. No.	Part No.	Description	RoHS	Remarks	A	B	C	D	E	Recommended Parts
	7FM0183000	MAIN PC Board Ass'y (Service No. B-361-03)			1	1				E
IC1,308,317,318	C0-11323001	IC SN74AHCT244PWR	R		4	4				E
IC3	C0-09754001	IC BA10393F-E2	R		1	1				E
IC4	C0-09795000	EEPROM BR93L66-W	R		1	1				E
(IC4)	E0-02118000	IC Socket DDCF-8CS-E	R		1	1				
IC5	7FM02029000	WR.ROM-850 SOFT			1	0				E
IC6	C0-07679001	SOP3P LM1117MPX-ADJ/NOPB	R		1	1				E
IC9	C0-12148000	IC XC2S50-5PQG208C	R		1	1				E
IC10	C0-10501000	IC HD6417705F133BV	R		1	1				E
IC11	C0-07705001	IC LM1117MPX-2.5/NOPB	R		1	1				E
IC12	C0-12137000	IC LAN91C113-NU			1	1				E
	C0-13499000	IC LAN91C113-NU REV.C								
IC13	C0-12140001	IC SN74AHC1G66HDCK3	R		1	1				E
IC301	C0-10514001	IC AT93C46-10SU-2.7 SL383	R		1	1				E
IC302	C0-11764001	IC SN74LVC161284DLR	R		1	1				E
IC303	C0-12327000	IC MT48LC4M32B2P-6G			1	1				E
IC304,311,312,320	C0-11015001	IC SN74LV14APWR	R		4	4				E
IC305	C0-11659001	IC SN74LV123APWR	R		1	1				E
IC306	C0-12136001	IC FAN1587ADX			1	1				E
IC307	C0-12132001	IC ADC78H90CIMTX/NOPB	R		1	1				E
IC309	C0-08228001	IC TB6549FG(EL)	R		1	1				E
IC310	C0-11728001	IC SN74LV4053APWR	R		1	1				E
IC313,314,501	C0-09749001	IC BA10324AF-E2	R		3	3				E
IC316	C0-12161001	IC M62354GP DF0J	R		1	1				E
IC319	C0-08243001	IC TC7MBD3245AFK(EL)	R		1	1				E
IC500	C0-12141001	IC SN74AHC2G32HDCT3	R		1	1				E
IC601	C0-10340000	IC STK6713AMK4-E	R		1	1				E
		<b>&lt;XISTOR.&gt;</b>								
Q1-4	C0-12147000	2SJ652	R		4	4				
Q5,13	C0-08733001	2SK1826(TE85L F)	R		2	2				
Q6,8,15,302	C0-09890001	DTC123JUAT106	R		4	4				
Q7,9-11,14	C0-09738001	2SD2114KT146	R		5	5				
Q12	C0-07376001	2SB1115-T1-AZ	R		1	1				
Q16,303	C0-08787001	RN4605(TE85L F)	R		2	2				
Q301	C0-07878001	2SD1802S/T-TL-E	R		1	1				
Q500	C0-12205001	2SJ634-TL-E	R		1	1				

55. MAIN PC BOARD ASS'Y 2

EO8-33009A  
 B-850 SERIES MAR., 2006  
 (Revision Date: May 19, 2006)

Ref. No.	Part No.	Description	RoHS	Remarks	A	B	C	D	E	Recommended Parts
D1-4,6,7,13	C0-08658001	Diode 1SS372(TE85L F)	R		7	7				
D5,8,9	C0-09669001	Diode 1SR154-400TE25	R		3	3				
D10	C0-08127002	Diode 1SS193(TE85L F)	R		1	1				
D11	C0-08894001	Diode 1SS187(TE85L F)	R		1	1				
D12	C0-08662001	Diode 1SS395(TE85L F)	R		1	1				
D500,501	C0-11188001	Diode 1GWJ43(TPA2 Q)	R		2	2				
D502	C0-09803001	Diode DA227TL	R		1	1				
		<b>&lt;Chip CAP.&gt;</b>								
C2,7,9-13,23-25, 28-31,34,37,40, 43,47,48,51,52, 54,56,57,62,65, 68,74,75,91,92, 97-99,101,304, 306-310,315,316, 323-327,332-335, 339,340,346-353, 358-361,366,367, 370-373,377,380- 387,389-396,402, 404,406,408,409, 411,500	-----	GRM188B11H103KA01D 0.01 micro F 50V	R		97	97				
C3,4,8,26,27,46, 55,59,66,67,69, 77-86,93,95,100, 102-104,388,410, 412-415,601	-----	GRM1882C1H101JA01D 100pF 50V	R		34	34				
C5,33,39,90,96, 311,322,368,375, 378,401,407	-----	GRM1882C1H100JZ01D 10pF 50V	R		12	12				
C14,32,35,41,42, 49,60,61,64,403	-----	GRM188B11E104KA01D 0.1 micro F 25V	R		10	10				
C38	-----	GRM188F11A105ZA01D 1 micro F 10V	R		1	1				
C45	-----	GRM31MB11H224KA01L 0.22 micro F 50V	R		1	1				
C70,301	-----	GRM1882C1H471JA01D 470pF 50V	R		2	2				
C76,87,314,319, 320328-331,336- 338,341-344,356, 357,362-365,369,	-----	GRM188B11C104KA01D 0.1 micro F 16V	R		26	26				

A: B-852-TS22-QQ-R B: B-852-TS22-QP-R



55. MAIN PC BOARD ASS'Y 3

EO8-33009A  
 B-850 SERIES MAR., 2006  
 (Revision Date: May 19, 2006)

Ref. No.	Part No.	Description	RoHS	Remarks	A	B	C	D	E	Recommended Parts
374,379,399										
C88	-----	GRM188F11C105ZA01D 1 micro F 16V	R		1	1				
C94	-----	GRM1882C1H221JA01D 220pF 50V	R		1	1				
C302	-----	GRM1882C1H6R0DZ01D 6pF 50V	R		1	1				
C303	-----	GRM1882C1H270JZ01D 27pF 50V	R		1	1				
C321,345	-----	GRM1882C1H220JZ01D 22pF 50V	R		2	2				
C354,355,397,398,400	-----	GRM31MF11A106ZA01L 10 micro F 10V	R		5	5				
C501,502	-----	GRM188B11H102KA01D 1000pF 50V	R		2	2				
		<b>&lt;Electrolytic CAP.&gt;</b>								
C6,18	-----	TD04RKMF50VB220MF50E1 220 micro F 50V	R		2	2				
		<b>&lt;Alminium CAP.&gt;</b>								
C17	-----	MVK16VC47MF55E0 47 micro F 16V	R		1	1				
C21,71	-----	10SVP56M 56 micro F 10V	R		2	2				
C44	-----	MKA16VC10MD55 10 micro F 16V	R		1	1				
C53,63	-----	MKA10VC100MF80 100 micro F 10V	R		2	2				
C58	-----	MVY16VC220MF80E0 220 micro F 16V	R		1	1				
C602	-----	EMVY500ADA101MHA0G			1	1				
		<b>&lt;Film CAP.&gt;</b>								
C36	-----	ECQV1H224JL 0.22 micro F 50V	R		1	1				
		<b>&lt;RSTR.&gt;</b>								
R1-7,30,96,155,156,165,169,171,182,192,195,209-215,217,221,222,233,235,347,349,393	-----	MCR03EZHZJ680 68 ohm			32	32				
R8,45,284	-----	MCR25JZHZJ000 0 ohm	R		3	3				
R10-12,22,23,25,28,29,31,39,41,46,65,67-69,83-86,88-95,97,111-116,124,126,130,143,144,162,163,167,168,176-181,190,193,194,203,	-----	MCR03EZHZJ103 10K ohm	R		94	94				

55. MAIN PC BOARD ASS'Y 4

EO8-33009A  
 B-850 SERIES MAR., 2006  
 (Revision Date: May 19, 2006)

Ref. No.	Part No.	Description	RoHS	Remarks	A	B	C	D	E	Recommended Parts
204,218-220,223, 225,226,228-232, 234,239,242,243, 257,267,273,274, 276,313,324,330, 337,339,340,348, 353,354,356,375, 376,392,394,401- 404,500										
R13-16,19	-----	MCR25JZHJ221 220 ohm	R		5	5				
R18	-----	MCR03EZPFX2702 27K ohm	R		1	1				
R24,164	-----	MCR03EZPFX1001 1K ohm	R		2	2				
R27,40,49,51,53, 128,227,245, 250,252,272,286, 288,308,309,311, 323,325,326,332, 334,336,344,345, 350,363,366,368, 377,381,382	-----	MCR03EZHJ000 0 ohm			31	31				
R35,103-106,120, 135,137,138,141, 142,154,159,161, 189,191,205-208, 216,224,236,237, 241,317,338,357, 361,362	-----	MCR03EZHJ102 1K ohm	R		30	30				
R37,99,414	-----	MCR03EZPFX6801 6.8K ohm	R		3	3				
R38	C0-13450001	Diode 1SS405 (TPH3 F)	R		1	1				
R47	-----	MCR03EZHJ822 8.2K ohm			1	1				
R48,58,59,77,101	-----	MCR25JZHJ121 120 ohm	R		5	5				
R50,52,54,62-64	-----	MCR03EZHJ151 150 ohm			6	6				
R55,66,70-75,87, 107-110,360,388- 390	-----	MCR03EZHJ560 56 ohm			17	17				
R56,57,60,61,78, 79,102,123,395, 398,399	-----	MCR03EZHJ100 10 ohm			11	11				
R80-82	-----	MCR03EZHJ681 680 ohm			3	3				

A: B-852-TS22-QQ-R B: B-852-TS22-QP-R

55. MAIN PC BOARD ASS'Y 5

EO8-33009A  
 B-850 SERIES MAR., 2006  
 (Revision Date: May 19, 2006)

Ref. No.	Part No.	Description	RoHS	Remarks	A	B	C	D	E	Recommended Parts
R98,407,409,411	-----	MCR03EZPFX3302 33K ohm	R		4	4				
R100,122,133,146 166,260-264,315	-----	MCR03EZHJ472 4.7K ohm			11	11				
R117,343,383-387 396,413	-----	MCR03EZPFX1002 10K ohm	R		9	9				
R118	-----	MCR03EZPFX1201 1.2K ohm	R		1	1				
R119	-----	MCR03EZPFX2203 220K ohm	R		1	1				
R121,271	-----	MCR03EZHJ152 1.5K ohm	R		2	2				
R131	-----	MCR03EZPFX2201 2.2K ohm	R		1	1				
R132	-----	MCR03EZPFX3901 3.9K ohm	R		3	3				
R134	-----	MCR03EZHJ682 6.8K ohm			1	1				
R136,149,150,281	-----	MCR03EZHJ101 100 ohm			4	4				
R140,172-175, 183-188,196-202, 240,244,253-256, 258,314,316,327- 329,346,351,359	-----	MCR03EZHJ220 22 ohm			33	33				
R145	-----	MCR100JZHJ391 390 ohm	R		1	1				
R147,148,157,160	-----	MCR03EZHJ221 220 ohm	R		4	4				
R170	-----	RSMF2TB330J 33 ohm	R		1	1				
R238,247,320,321	-----	MCR03EZPFX24R9	R		4	4				
R246,266,277-279 282,283,369,502	-----	MCR03EZHJ470 47 ohm			9	9				
R248,249	-----	MCR03EZHJ330 33 ohm			2	2				
R265	-----	MCR03EZHJ331 330 ohm			1	1				
R268	-----	MCR03EZHJ223 22K ohm			1	1				
R290	-----	MCR03EZHJ473 47K ohm			1	1				
R307	-----	MCR03EZHJ105 1M ohm			1	1				
R318,319	-----	MCR03EZPFX49R9 49.9 ohm	R		2	2				
R322	-----	MCR03EZPFX1102 11K ohm	R		1	1				
R341	-----	MCR03EZPFX3900 390 ohm	R		1	1				
R342	-----	MCR03EZPFX2701 2.7K ohm	R		1	1				
R355,358	-----	MCR03EZHJ683 68K ohm			2	2				
R371,373	-----	MCR03EZPFX1100 110 ohm	R		2	2				
R372	-----	MCR03EZPFX1800 180 ohm	R		1	1				
R374	-----	MCR03EZPFX22R0	R		1	1				
R379	-----	MCR03EZPFX6203 620K ohm	R		1	1				
R391	-----	MCR25JZHJ472 4.7K ohm	R		1	1				
R400	-----	MCR100JZHF1500 150 ohm	R		1	1				
R406	-----	MCR03EZPFX1202 12K ohm	R		1	1				

55. MAIN PC BOARD ASS'Y 6

EO8-33009A  
B-850 SERIES MAR., 2006  
(Revision Date: May 19, 2006)

Ref. No.	Part No.	Description	RoHS	Remarks	A	B	C	D	E	Recommended Parts
R397,408,410,412	-----	MCR03EZPFX2202 22K ohm	R		3	3				
				R397 Added: 5/06	4	4				
R501	-----	MCR100JZHJ102 1K ohm	R		1	1				
		<b>&lt;RSTR. Array&gt;</b>								
RA1	D0-20275001	MNR14E0ABJ560 56 ohm	R		1	1				
RA2	D0-20289001	MNR14E0ABJ470 47 ohm	R		1	1				
RA3,19	D0-20280001	MNR14E0ABJ103 10K ohm	R		2	2				
RA4-17	D0-20268001	MNR14E0ABJ680 68 ohm	R		14	14				
RA18,301-304	D0-23073001	RNA4A8E103JT 10K ohm	R		5	5				
		<b>&lt;CONN.&gt;</b>								
CN1	E0-09508000	B20B-PHDSS (LF)(SN)	R		1	1				
CN2	E0-10028000	B22B-PHDSS (LF)(SN)	R		1	1				
CN3	E0-07203000	B12B-PHDSS (LF)			1	1				
CN4	E0-06841000	292161-9	R		1	1				
CN5	E0-07204000	B14B-PHDSS (LF)			1	1				
CN6	E0-06840000	292161-8	R		1	1				
CN8	E0-07483000	B10P-VH (LF)	R		1	1				
CN9	E0-06583000	B24B-PHDSS (LF)			1	1				
CN10	E0-06833000	292161-2	R		1	1				
CN12	E0-08945000	B18B-PHDRS-B (LF)			1	1				
CN13	E0-06582000	B16B-PHDSS (LF)			1	1				
CN17	D0-19027000	MJF11D2GYA1-H33D	R		1	1				
CN18	E0-09286000	DUSB-BRA42-T11(D2)-FA	R		1	1				
CN19	E0-08181000	57RE-40360-730B(D29A)-FA	R		1	1				
CN500	E0-00618000	53014-0610	R		1	1				
CN501	E0-09297001	BM08B-SRSS-TBT (LF)(SN)	R		1	1				
F1	E0-08943001	Fuse 0453.500MR	R		1	1				D
F2,3	E0-08941001	Fuse 0453002.MR	R		2	2				D
F4	E0-08942001	Fuse 045303.5MR	R		1	1				D
FB2,301	D0-07755001	Noise Filter BLM18PG600SN1D	R		2	2				D
J2	E0-08740000	Jumper IMSA-9202B-1-02Z013-PT1	R		1	1				
L1	D0-07744001	Coil DLP31SN121SL2L	R		1	1				
NF1-3	D0-05469001	Noise Filter NFM41CC223R2A3L	R		3	3				D

